

BOLT NOVA

SPECIFICATION SHEET
NOVALINK EDITION

NEXT GEN NATATORIUM-RATED INDIRECT LUMINAIRE

Housing

Diameter :	Weight :
700W : 23" x 28.9" x 16"	700W : 44 lbs
1050W : 23" x 41.3" x 20.4"	1050W : 77 lbs

Material

Housing : High Pressure Die-Cast Aluminum, Tempered Glass
Mounting : Corrosion-resistant fluorocarbon-coated steel
Lens : PC Lens

Power Input

700W, 1050W | 120-277V

Lumen Output

98,000 lm (700W), 147,000 lm (1050W)

Dimming

Standard 1-10V : Dims to 10%
DMX : High resolution dims to 10%

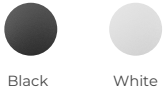
Color Quality

CRI 75, CRI 85

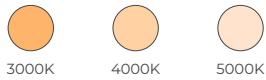
Rated Life

> 100,000 Hours (L70)

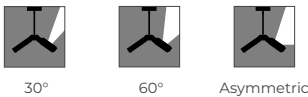
Finish



Color Temperature



Optics



Mounting



Warranty

7 Year limited warranty

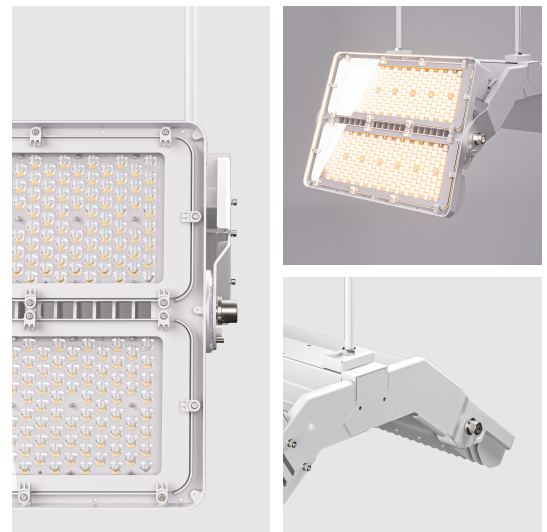
Listing



Meticulously Crafted To Excel In Challenging Environments

The Bolt Nova series stands out as a remarkable range of indirect floodlights, boasting industry-leading performance of an unparalleled 147,000 lumens.

Distinguished by its unique Uni-Body design and dynamic heat control, the Bolt Nova not only delivers exceptional luminosity but also ensures optimal performance and longevity even in the harshest conditions.



METEOR

meteor-lighting.com

SPECIFICATION

PROJECT NAME

DATE

CATALOG #

QUANTITY

The product configurator function on this page works only with the latest version of Chrome or Adobe Acrobat Reader.

<input type="checkbox"/> BLTNL	MODEL	BOLT NOVA-NOVALINK EDITION		
<input type="checkbox"/>	WATTAGE	700 700W	1050 1050W	
<input type="checkbox"/>	CCT / CRI	308 3000K / CRI85	408 4000K / CRI85	507 5000K / CRI75
<input type="checkbox"/> UNV	VOLTAGE	UNV 120 – 277V		
<input type="checkbox"/>	DIMMING	NOD Non-Dimming	STV Standard 1-10V dims to 10%	DMX DMX dims to 10%
<input type="checkbox"/>	BEAM ANGLE	30 30°	60 60°	ASY Asymmetric
<input type="checkbox"/>	FINISH	BLK Black	WHT White	
<input type="checkbox"/>	MOUNTING	US2 Uplight Stem 2 ft	US4 Uplight Stem 4 ft	US6 Uplight Stem 6 ft
<input type="checkbox"/>	ACCESSORIES	GSV¹ Glare Shield Visor		
<input type="checkbox"/>	RATING	OUT² Outdoor Rating	NAT³ Natatorium Rating	

CLEAR FORM

¹ Please factor in change in lumen output of -25% with GSV
² Outdoor Rating: Coating and wiring will be changed to high UV resistant and corrosion resistant materials for long term operation in outdoor environments
³ Natatorium rating: Coating and sealant will be changed to high corrosion resistant materials to prevent damage from long term exposure to chlorine vapors

TECHNICAL DETAILS

Electrical

- 98,000 lm (700W), 147,000 lm (1050W)
- Power Input : Universal (120-277V)
- Operating Temperature : -40°F~121°F
- Surge Protection : Built-in is 4KV

LED Features

- Color Temperature : 3000K, 4000K, 5000K
- CRI 75, CRI 85
- Long lasting LED luminaire tested under TM21 lumen maintenance L70 @ 100,000 Hrs

Optics

- Precision molded high transmittance clear PC lens
- Beam Angle : 30°, 60°, Asymmetric

Advanced Dimming

- Standard 1-10V : Dims to 10%
- DMX : High resolution dims to 10%

Housing

- Diameter :
700W : 23" x 28.9" x 16"
1050W : 23" x 41.3" x 20.4"
- Material : High Pressure Die-Cast Aluminum, Corrosion-resistant fluorocarbon-coated steel, Tempered Glass
- Weight :
700W : 44 lbs
1050W : 77 lbs

Mounting

- Uplight Stem 2 ft / 4 ft / 6 ft

Warranty

- 7-year limited warranty

Listing

- ETL Wet Location Listed
- FCC
- IP66
- DLC Premium

PERFORMANCE SUMMARY*

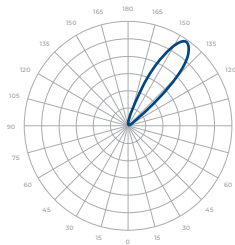
Delivered Lumens			
CCT/WATTAGE	3000K	4000K	5000K
700W	87,500lm	94,500lm	98,000lm
1050W	131,250lm	141,750lm	147,000lm

Current Consumption		
WATTAGE / VOLT	120V	277V
700W	6.42A	2.78A
1050W	9.63A	4.17A

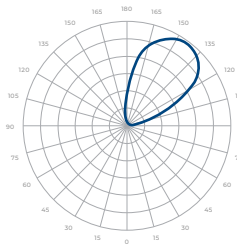
*Beam Angle: 60° & Asymmetric * Tolerance ±8%

PHOTOMETRICS*

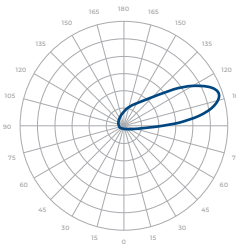
Below is a typical photometric representation of the Bolt Nova fixture. Please download IES files to ensure exact photometric value.
±35° Tilt



30°



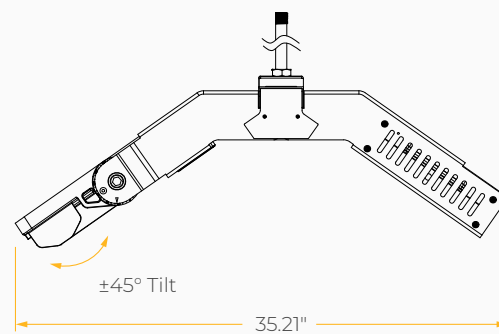
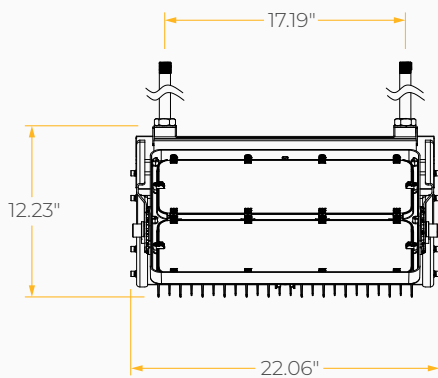
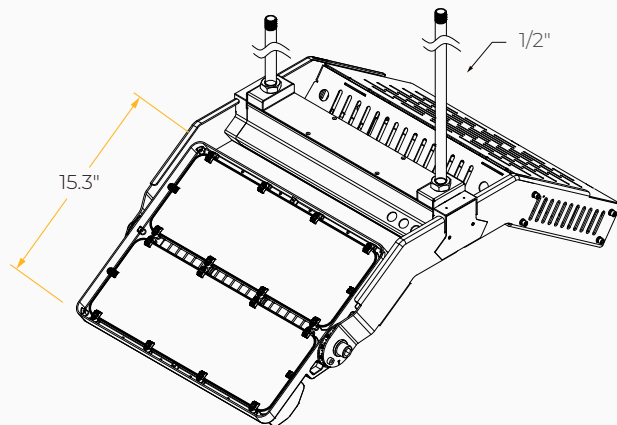
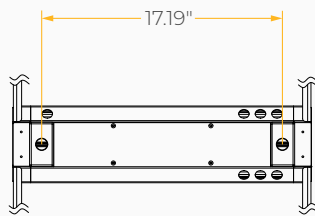
60°



ASYMMETRIC

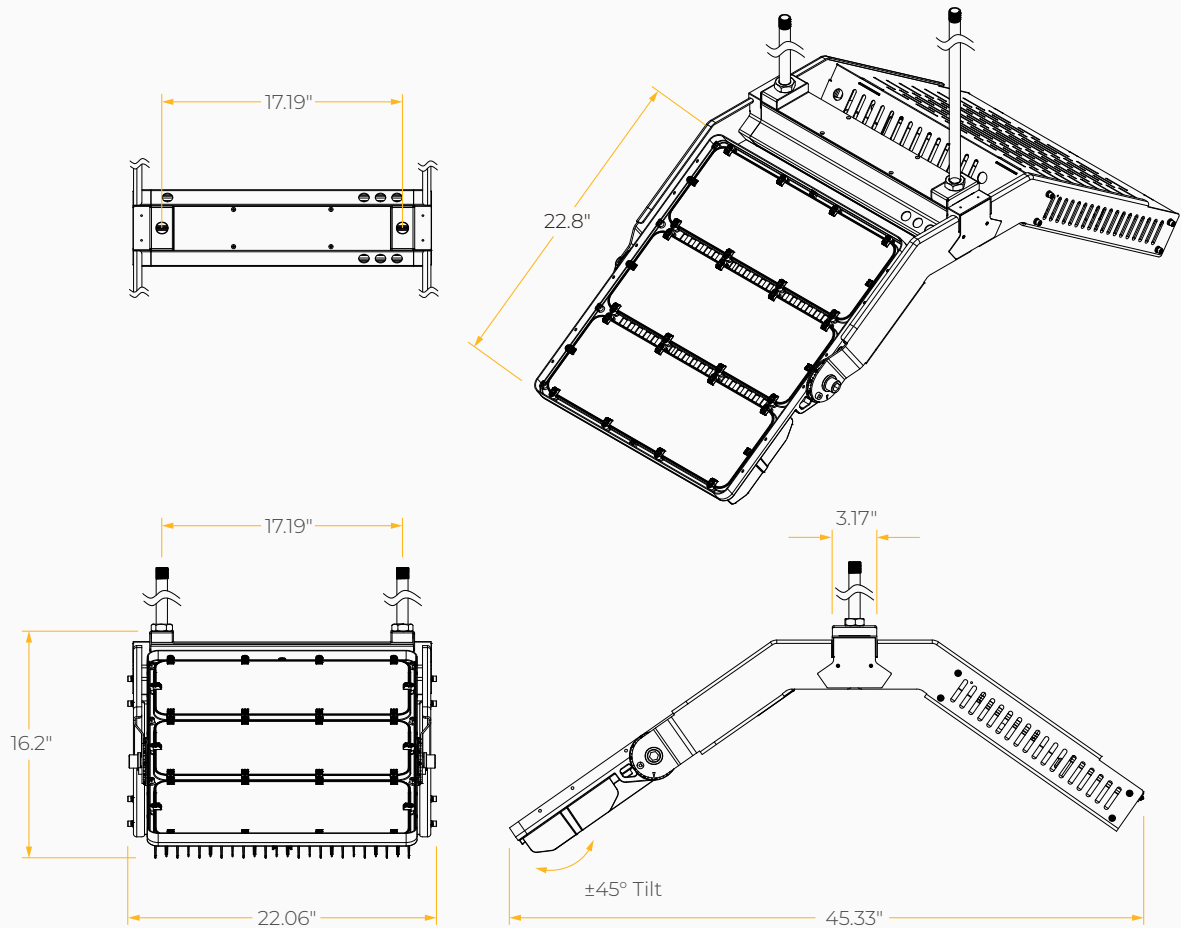
DIMENSIONS

700W Stem Mount



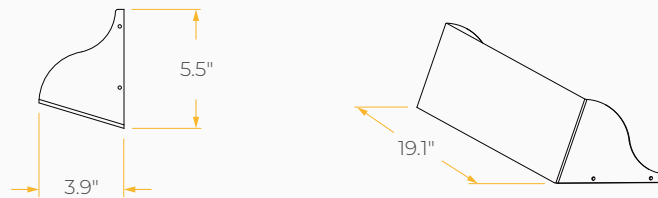
DIMENSIONS

1050W Stem Mount



ACCESSORIES

700W / 1050W Glare Shield Visor (30° / 60°)



700W / 1050W Glare Shield Visor (Asymmetric)

