

ATRIA II 10

REIMAGINING PERFORMANCE SPACES

SPECIFICATION SHEET
STANDARD

Housing

Diameter : Ø9.4" | Height : 20.5" | Weight : 30 lbs

Material

Housing : High Pressure Die-Cast Aluminum

Optics : Metal Reflector

Power Input

80W, 110W, 140W, 180W, 220W | 120-277V

Lumen Output

10,300 lm (80W), 13,390 lm (110W), 17,430 lm (140W)

22,470 lm (180W), 26,350 lm (220W)

Dimming

Standard 0-10V : Dims to 10%

Superior 0-10V : Dim to 1%

DMX : High resolution dims to 0.1% (Supports ANSI E1.20 RDM protocol)

TRC : Line-voltage phase control, dims to 1% (120V only)

DALI : Dims to 10%

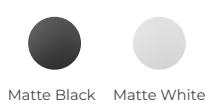
Color Quality

CRI 85, CRI 93

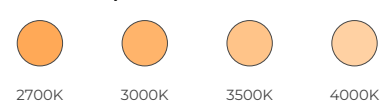
Rated Life

> 100,000 Hours (L70)

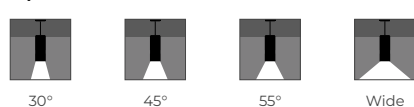
Finish



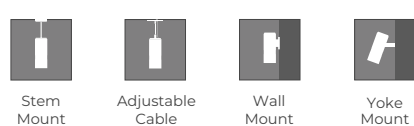
Color Temperature



Optics



Mounting



Warranty

5 Year limited warranty

Listing



DesignLights Consortium™ Qualified Luminaires:

DLC QPL Product ID : A-JHQJYR

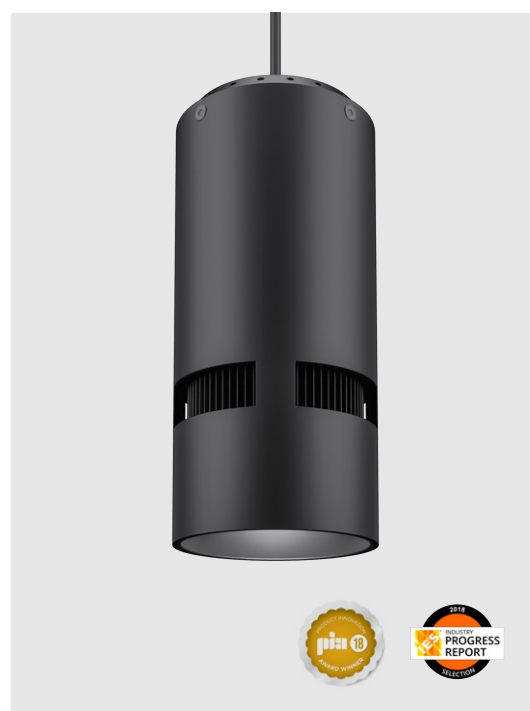
Not all product variations listed are DLC qualified.

To ensure that a specific model is qualified, visit www.designlights.org/search

Versatile and Compact Architectural Cylinder

Engineered for performance spaces, this cylinder offers versatile mounting and advanced dimming options. It seamlessly blends into ceilings, delivering powerful performance with vibrant, color-changing technology that elevates any stage environment.

With its next-gen design, the Atria Mark II features an upgraded light engine that boasts a 30% increase in lighting output across the series and introduces a new SilentBlack™ finish that reduces reflectance to under 5%.



METEOR

meteor-lighting.com

SPECIFICATION

PROJECT NAME

DATE

CATALOG #

QUANTITY

The product configurator function on this page works only with the latest version of Chrome or Adobe Acrobat Reader.

<input type="text" value="AS1110"/>	MODEL	ATRIA II 10		
<input type="text"/>	WATTAGE	80 80W 180 180W	110 110W 220 220W	140 140W
<input type="text"/>	CCT / CRI	278 2700K / CRI 85 309 3000K / CRI 93 408 4000K / CRI 85	279 2700K / CRI 93 358 3500K / CRI 85	308 3000K / CRI 85 359 3500K / CRI 93
<input type="text" value="UNV"/>	VOLTAGE	UNV 120 – 277V		
<input type="text"/>	DIMMING	STV Standard 0-10V dims to 10% DMXR DMX dims to 0.1% (RJ45 Sockets) DALI DALI dims to 10%	SPV Superior 0-10V dims to 1% DMXW DMX dims to 0.1% (Hard-wired)	DMX DMX dims to 0.1% (XLR Sockets) TRC¹ Line-voltage phase control, dims to 1%
<input type="text"/>	BEAM ANGLE	30 30° WD² Wide	45 45°	55 55°
<input type="text"/>	FINISH	BLK SilentBlack™, Matte Finish	WHT SilentWhite™, Matte Finish	
<input type="text"/>	MOUNTING	ST2 Stem 2ft SAD10 Sloped Adjustable Cable 10ft	ST4 Stem 4ft WLM³ Wall Mount	AD10 Adjustable Cable 10ft YKM Yoke Mount
<input type="text"/>	ACCESSORIES	SPD⁴ Surge Protector CT⁶ Conduit Mount AWNC⁹ Lutron Athena Wireless Node Canopy	HC⁵ Honeycomb Louver FCS⁷ Field Cut Stem Adapter Kit NX¹⁰ NX Radio Module Standalone Module	EMP Remote Emergency Pack AWN⁸ Lutron Athena Wireless Node Standalone Module NXC¹¹ NX Radio Module Canopy

CLEAR FORM

¹ TRC is only compatible with 120V and not compatible with 180, 220
² WD option reduces delivered lumens by ~20%
³ WLM is not compatible with DMX, DMXR; connections are hard-wired using three DMX wires
⁴ Surge protector for up to 10KV. Applicable for unstable mains or facilities using high power machineries
⁵ HC option reduces delivered lumens by ~30%
⁶ CT is not compatible with YKM, WLM
⁷ FCS is not compatible with AD10, SAD10, YKM, WLM
⁸ AWN is not compatible with STV, DMX, DMXR, DMXW, TRC
⁹ AWNC is not compatible with STV, DMX, DMXR, DMXW, TRC, YKM, WLM
¹⁰ NX is not compatible with DMX, DMXR, DMXW, TRC, DALI
¹¹ NXC is not compatible with DMX, DMXR, DMXW, TRC, DALI, YKM, WLM

TECHNICAL DETAILS

Electrical

- 10,300 lm (80W), 13,390 lm (110W), 17,430 lm (140W)
 22,470 lm (180W), 26,350 lm (220W)
- Power Input : Universal (120-277V)
- Operating Temperature : -13°F~112°F
- Surge Protection : Built-in is 4KV
- Remote Emergency Pack : Philips Bodine BSL20B2UEK55C111
- Power Factor Greater than 0.9

LED Features

- Color Temperature : 2700K, 3000K, 3500K, 4000K
- CRI 85, CRI 93
- Long lasting LED luminaire tested under TM21 lumen maintenance L70 @ 100,000 Hrs
- Lumen Maintenance > 0.90 at 60,000 hours

Optics

- Precision molded high transmittance clear PC lens
- Beam Angle : 30°, 45°, 55°, WD

Advanced Dimming

- Proprietary VX Driver™ is incorporated to all dimming options for video flicker-free lighting
- Standard 0-10V : Dims to 10%
- Superior 0-10V : Dims to 1 %
- DMX : High resolution dims to 0.1% (Supports ANSI E1.20 RDM protocol)
- TRC : Line-voltage phase control, dims to 1% (120V only)
- DALI : Dims to 10%

Housing

- Diameter : Ø9.4"
- Height : 20.5"
- Material : High Pressure Die-Cast Aluminum, Metal Reflector
- Weight : 30 lbs

Mounting

- Stem 2ft or 4ft; 45° Swivel Canopy Included
- Adjustable Cable 10ft
- Sloped Adjustable Cable 10ft
- Wall Mount
- Yoke Mount

Warranty

- 5-year limited warranty

Listing

- DLC Listed
- ETL Damp Location Listed
- CE
- UKCA
- FCC

PERFORMANCE SUMMARY*

Delivered Lumens				
CCT/WATTAGE	2700K	3000K	3500K	4000K
80W	8,960lm	9,580lm	9,935lm	10,300lm
110W	11,645lm	12,450lm	12,915lm	13,390lm
140W	15,160lm	16,220lm	16,830lm	17,430lm
180W	20,100lm	21,285lm	21,880lm	22,470lm
220W	23,575lm	24,960lm	25,656lm	26,350lm

Current Consumption		
WATTAGE / VOLT	120V	277V
80W	0.73A	0.32A
110W	1.01A	0.44A
140W	1.28A	0.56A
180W	1.65A	0.71A
220W	2.02A	0.87A

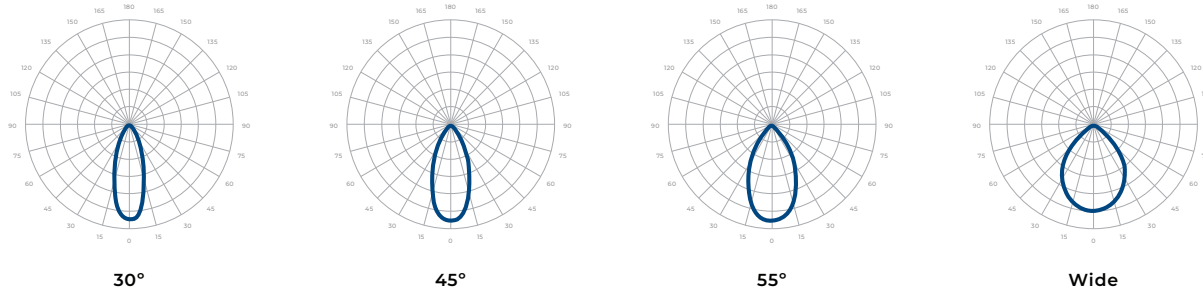
*CRI 85 / Beam Angle : 55° *Tolerance ±8%

*For specifications requiring a CRI of 93, apply a 0.75 multiplier to the lumen output values listed.

Emergency Pack Lumen Output Table			
CCT	2700K	3000K	4000K
LUMEN	1,640lm	1,760lm	1,890lm

PHOTOMETRICS

Below is a typical photometric representation of the Atria II 10 fixture. Please download IES files to ensure exact photometric value.

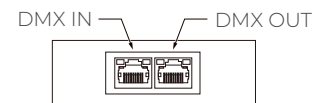


DMX REQUIREMENTS

The Atria II 10 fixture with DMX is a **single channel dmx** unit. When placing an order, please indicate DMX address. (The DMX address will be listed on the back of the fixture). Do not connect more than 32 fixtures per DMX daisy chain.

The fixture can be connected with RJ45 or XLR sockets. DMX cables **are not** included; please refer to compatible DMX cabling list for more information. The final fixture on each daisy chain should be terminated by the use of a DMX terminator purchased from a 3rd party or from Meteor.

CONNECTION	RJ45 (CAT5e)	5-PIN XLR
Common	WHITE/BROWN(PIN7) & BROWN (PIN 8)	PIN 1
Signal -	ORANGE (PIN 2)	PIN 2
Signal +	WHITE/ORANGE (PIN 1)	PIN 3
Spare	-	PIN 4
Spare	-	PIN 5



RJ45 Sockets



XLR Sockets

COMPATIBLE DMX CABLING LIST

DMX uses a cable consisting of two twisted pairs plus a shield to carry data. The cable must be specifically impedance matched for the digital DMX signal, meaning that microphone cable or other non-rated cable **must not be used to carry DMX**. Network cable (Cat5, 5e or 6 cable) may be used to carry DMX in an installation; however special consideration must be given to shielding and termination. Under no circumstances should solid core cable like Cat5 be terminated into a screw down connector.

Meteor recommends the use of Belden 9729 or Belden 9841 for DMX installation. Belden 9729/9841 is a shielded twisted pair cable, which allows for a spare pair for 'out and back' type terminations if needed.

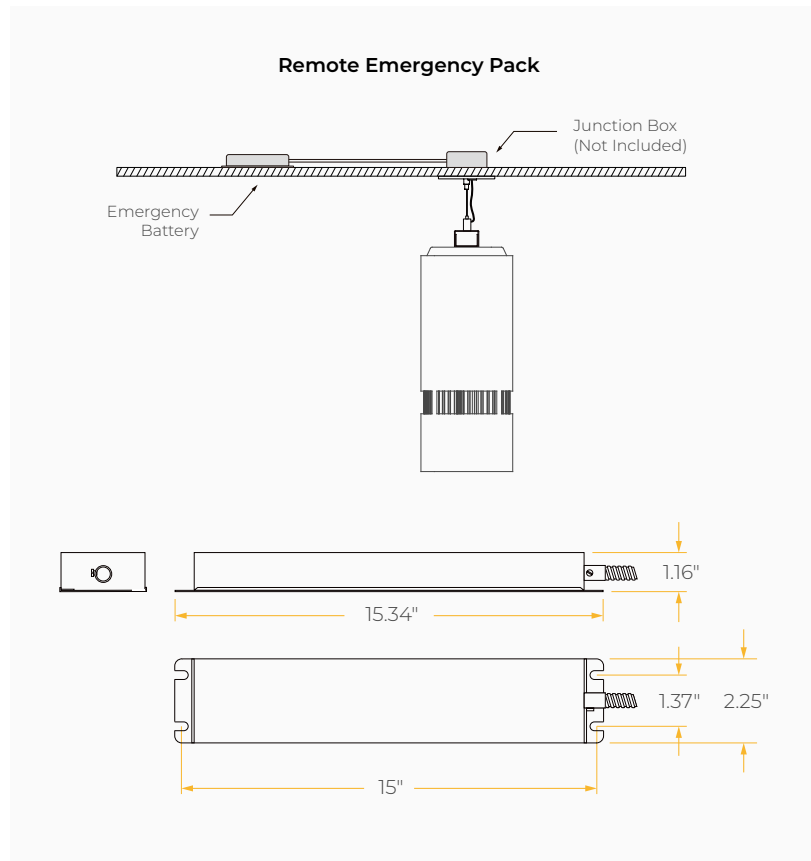
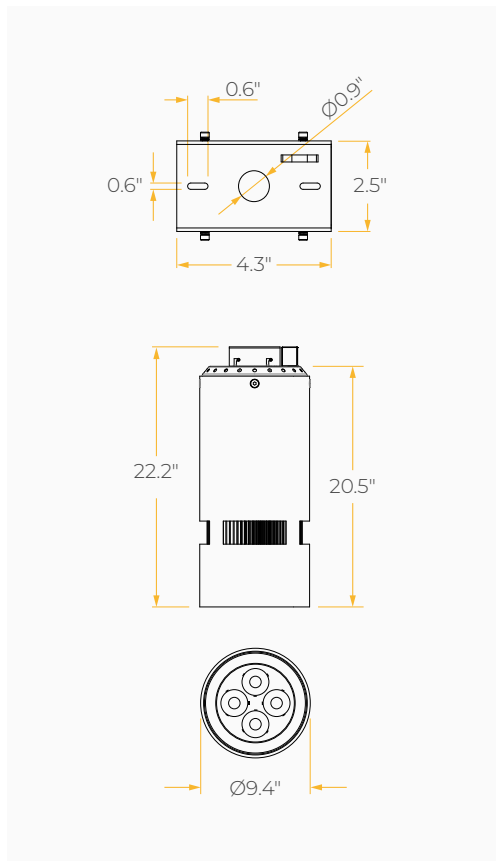
COMPATIBLE LDE1 DIMMER LIST

LUTRON PART NO.						
RMJ-ECO32-DV-B	FCJ/FCJS-ECO	QSN-1ECO-S	QSN-2ECO-S	QSGRJ-_E	QSGR-_E	QP2-__2C
QP2-__4C	QP2-__6C	QP2-__8C	LQSE-2ECO-D			

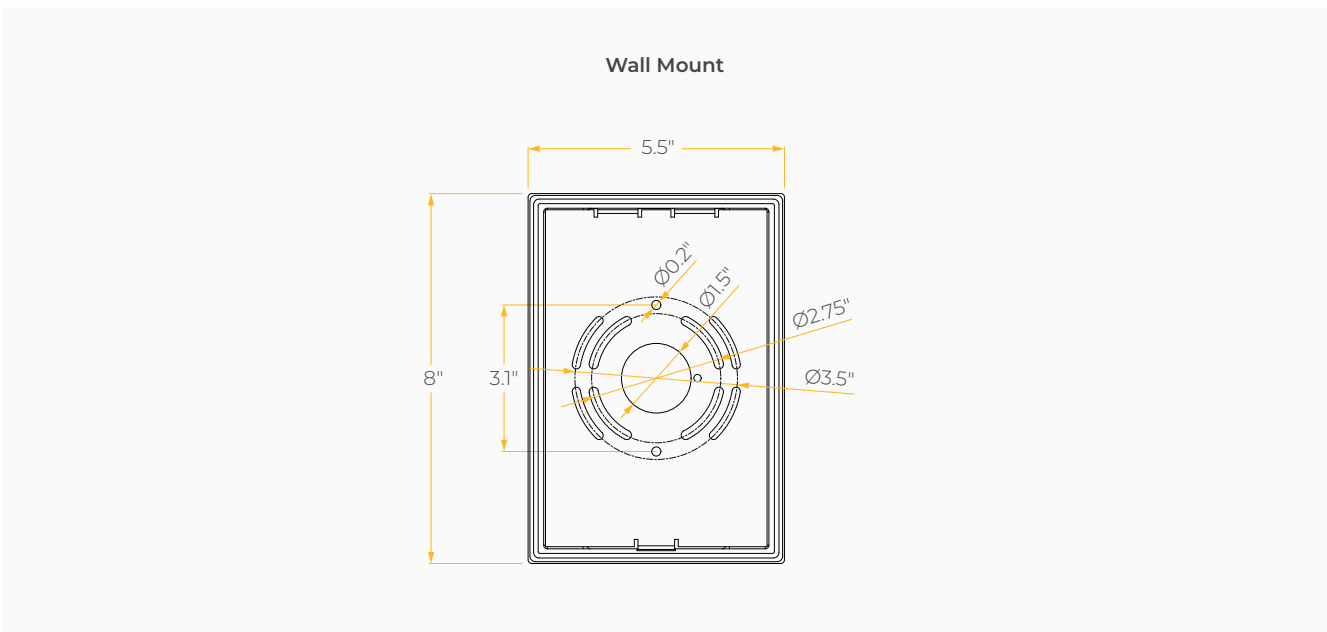
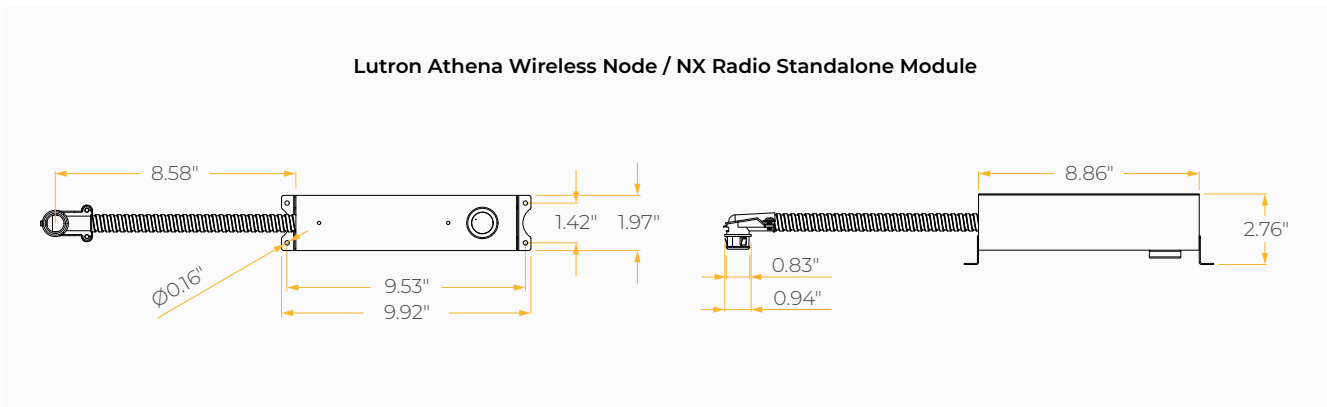
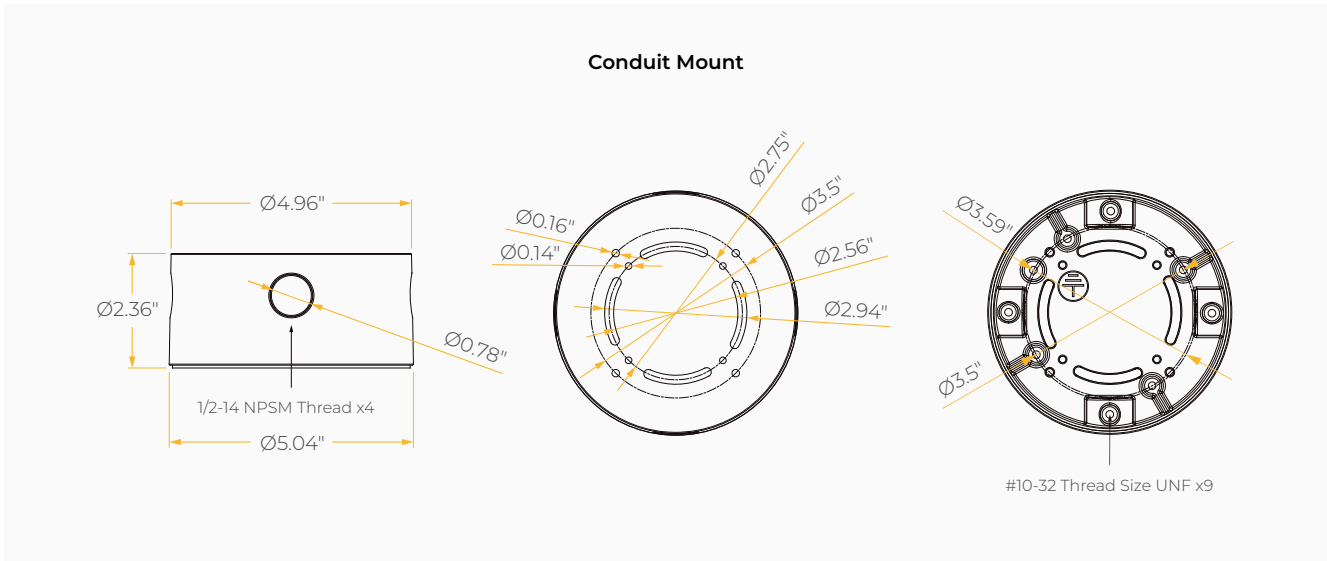
COMPATIBLE TRC DIMMER LIST

PART NO.					
Lutron S-603PG	Lutron DVCL-153P	Lutron DVLV-600P	Lutron TGCL-153P	Lutron S-600P	Lutron DVELV-303P
Lutron SELV-300P	Lutron TG-600P	Lutron DVLV-600P	Lutron LG-600P	Lutron CT-103P	Lutron MAELV-600
Lutron FAELV-500	Leviton IPI06-1LZ	Leviton 6631-2	Leviton VPE06	Leviton 6683-IW	Leviton 6161
Leviton 6633-P	Leviton IPE04	Cooper DLC03P	Cooper SLC03P	Cooper DAL06P	Lightolier ZP260QEW

DIMENSIONS

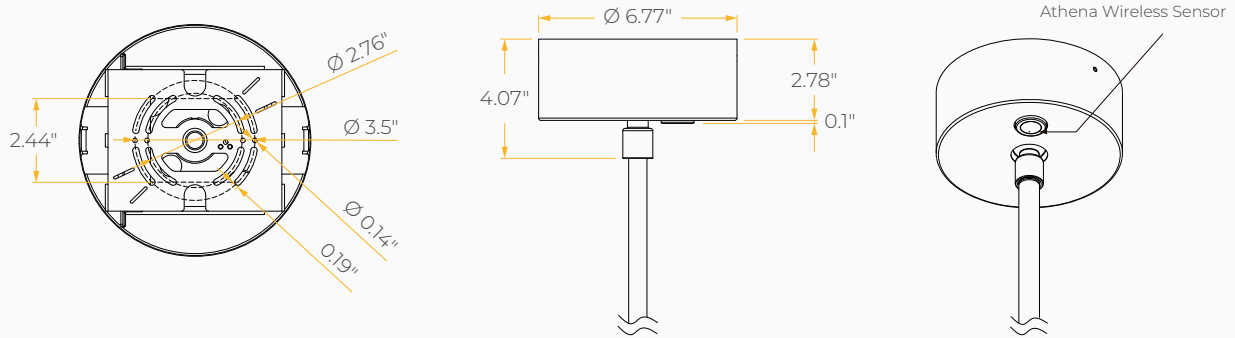


DIMENSIONS

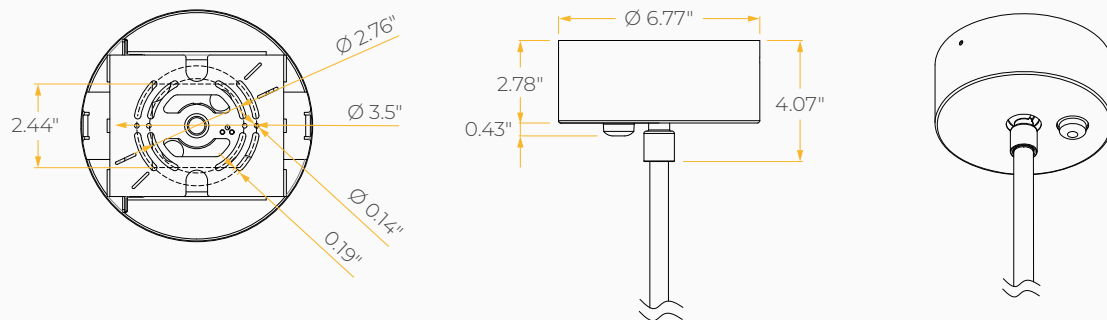


DIMENSIONS

Lutron Athena Wireless Node Canopy



NX Radio Node Canopy



MOUNTING OPTIONS*

*Junction box not included

