

REV FLEX 2 PRIME

SPECIFICATION SHEET
STANDARD

REVOLUTIONARY ADJUSTABLE DOWNLIGHTS

Housing

Aperture : Ø2.6" | Height : 4.37" | Weight : 2.2 lbs
Maximum Ceiling Thickness : 1" | Ceiling Cutout : 2.9"

Material

Housing : High Pressure Die-Cast Aluminum
Optics : Clear polycarbonate

Power Input

20W | 120V, 277V

Lumen Output

2,140 lm

Dimming

Superior 0-10V : dims to 1%, dims to dark
TRC : Linear line-voltage phase control, dims to 1%
DALI : Logarithmic dims to 1%

Color Quality

CRI 85, CRI 93

Rated Life

> 100,000 Hours (L70)

Bezel Finish



Matte
Black

Matte
White

Matte
Silver

Trim Finish



Matte
Black

Matte
White

Color Temperature



2700K

3000K

3500K

4000K

Optics



25°

40°

55°

Adjustability



0°-30°
Tilt

0°-359°
Rotation

Warranty

5 Year limited warranty

Listing



Quiet . Adjustable. Now, Even More Powerful.

REV Flex Prime is the next step up of Meteor's award-winning adjustable downlight series—delivering up to 60% more lumen output in the same compact form.

Available in 2", 4", and 6" apertures, REV Flex Prime features upgraded LEDs, a new high-transmittance lens, and structural enhancements that improve light output and consistency without altering its iconic design.



METEOR

meteor-lighting.com

SPECIFICATION

PROJECT NAME

DATE

CATALOG #

QUANTITY

The product configurator function on this page works only with the latest version of Chrome or Adobe Acrobat Reader.

<input type="text"/>	MODEL	RF2PN REV Flex 2 Prime New Construction	RF2PR REV Flex 2 Prime Retrofit
<input type="text" value="20"/>	WATTAGE	20 20W	
<input type="text" value="A"/>	BEZEL TYPE	A Adjustable Bezel	
<input type="text"/>	CCT / CRI	278 2700K / CRI 85 309 3000K / CRI 93 408 4000K / CRI 85	279 2700K / CRI 93 358 3500K / CRI 85 409 4000K / CRI 93 308 3000K / CRI 85 359 3500K / CRI 93
<input type="text"/>	VOLTAGE	120 120V	277 277V
<input type="text"/>	DIMMING	NOD Non-Dimming DALI DALI dims to 1%	SPV Superior 0-10V dims to 1%, dims to dark TRC¹ Linear line-voltage phase control, dims to 1%
<input type="text"/>	TRIM TYPE	R Round	S Square
<input type="text"/>	TRIM FINISH	BLK Matte Black	WHT Matte White
<input type="text"/>	BEZEL FINISH	BLK Matte Black	WHT Matte White SLV Matte Silver
<input type="text"/>	BEAM ANGLE	25 25°	40 40° 55 55°

CLEAR FORM

¹ TRC must be specified with 120V

TECHNICAL DETAILS

Electrical

- 2,140 lm
- Power Input : 120, 277V
- Operating Temperature : 14°F~104°F

LED Features

- Color Temperature : 2700K, 3000K, 3500K, 4000K
- CRI 85, CRI 93
- Long lasting LED luminaire tested under TM21 lumen maintenance L70 @ 100,000 Hrs

Optics

- Precision molded high transmittance clear PC lens
- Beam Angle : 25°, 40°, 55°

Advanced Dimming

- Proprietary VX Driver™ is incorporated to all dimming options for video flicker-free lighting
- Superior 0-10V : dims to 1%, dims to dark
- TRC : Linear line-voltage phase control, dims to 1% (120V only)
- DALI : Logarithmic dims to 1%

Housing

- Aperture : Ø2.6"
- Height : 4.37"
- Weight : 2.2 lbs (New Construction), 1.06 lbs (Retrofit)
- Ceiling Cutout : 2.9" (New Construction), 2.8" (Retrofit)
- Maximum Ceiling Thickness : 1"
- Material : High Pressure Die-Cast Aluminum, PC Lens
- Non-IC Rated, insulation must be kept >0.5ft from housing
- Light engine, optics, and driver(s) accessible from below ceiling

*Note : C-Channel / Mounting Channels / T-Bar Hangers are purchased from a third party

Warranty

- 5-year limited warranty

Listing

- ETL
- CE
- FCC
- JA8 Title 24 Compliant

PERFORMANCE SUMMARY*

Delivered Lumens				
CCT/WATTAGE	2700K	3000K	3500K	4000K
20W	1,965lm	2,080lm	2,130lm	2,140lm

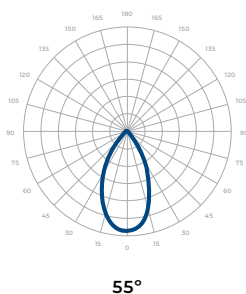
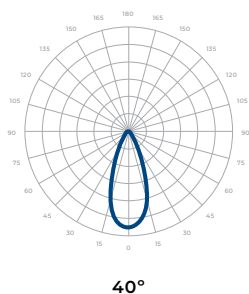
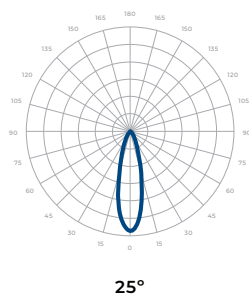
Current Consumption		
WATTAGE / VOLT	120V	277V
20W	0.16A	0.07A

*Beam Angle: 55° *Tolerance ±8%

*For specifications requiring a CRI of 93, apply a 0.8 multiplier to the lumen output values listed.

PHOTOMETRICS

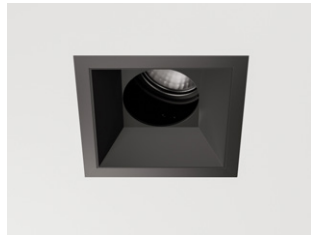
Below is a typical photometric representation of the Rev Flex 2 Prime fixture. Please download IES files to ensure exact photometric value.



TRIM TYPES



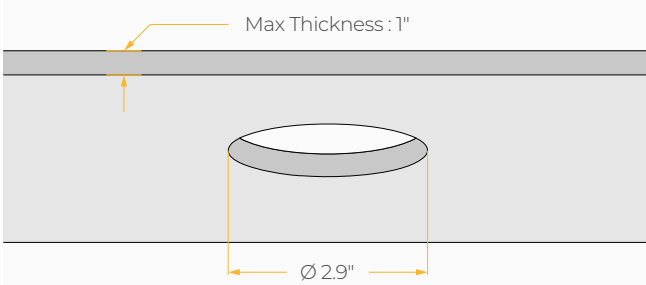
Round Trim



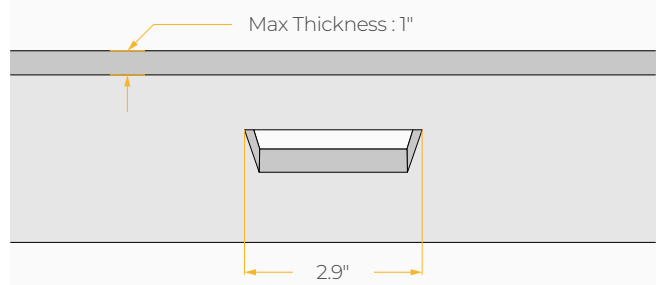
Square Trim

DIMENSIONS

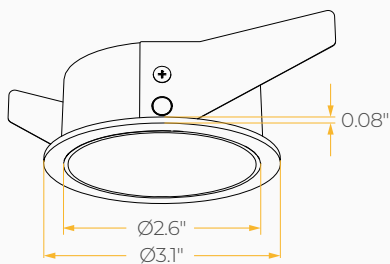
Round Trim Cutout



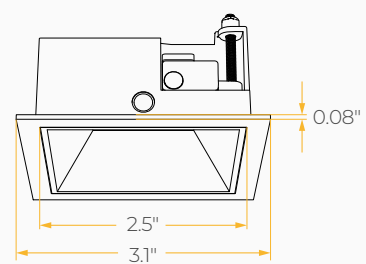
Square Trim Cutout



Round Trim

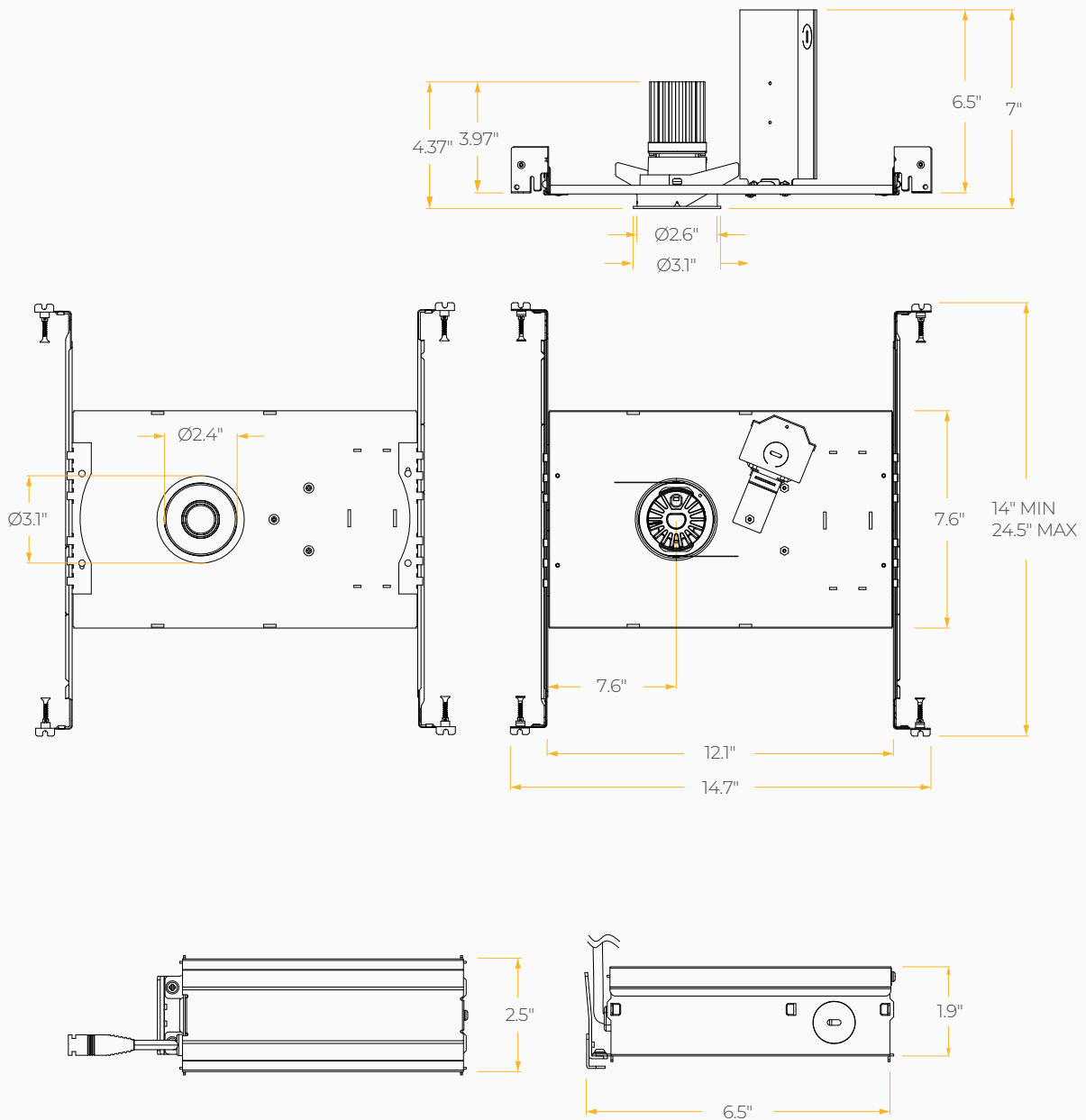


Square Trim

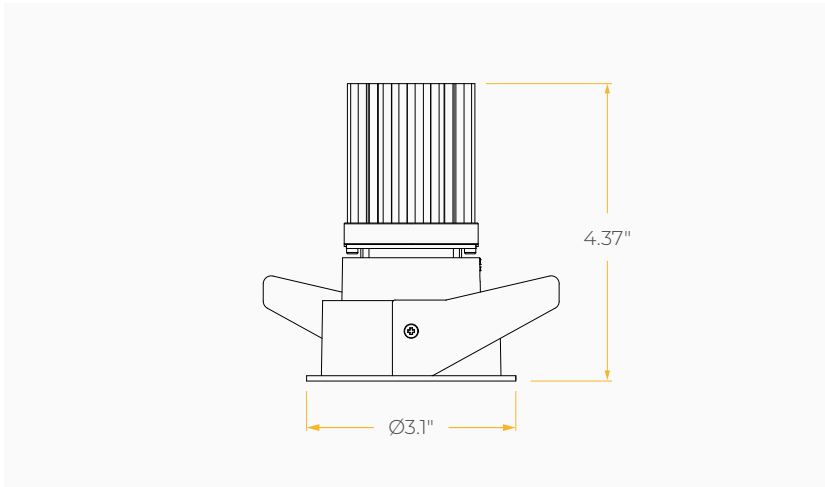


DIMENSIONS

New Construction (NOD/SPV/TRC/DALI)



DIMENSIONS



Retrofit Power Box (NOD/SPV/TRC/DALI)

