

HueCraft Projector 10



SPECIFICATION SHEET

HueCraft Projector is a high-performance RGBL floodlight engineered for architectural exteriors. Its quad-chip design introduces Lime LEDs into the mix, widening the color spectrum and enhancing key outdoor tones. HueCraft delivers smooth in-lens color blending and powerful throw, with a narrow 6° beam—the tightest in the industry for a discreet quad-chip layout, ensuring sharp, long-range focus. The precision yoke mount offers a full range of tilt adjustments and features a clean, integrated base that conceals cables for a streamlined, architectural look.

COLOR



Archi-Color®
RGBL

FINISH



Matte Black



Matte White



Custom RAL

CCT



RGB + 3000K



RGB + 4000K



RGB + 6500K



RGB + Lime



RGB + Amber



Tunable
White

OPTICS



6°



10°



15°



30°



45°



60°



15°x60°



60°x15°

MOUNTING



Adjustable
Bracket



Adjustable
Yoke Stand



Pendant
Stem



Archi-Color® RGBL

Now tailored for outdoor applications, our refined RGBL system introduces Lime LEDs for better performance and higher efficacy. The expanded spectrum enhances the colors that matter most outdoors—richer ambers, natural reds, deeper greens, and the golden-yellow glow reminiscent of sodium lighting. Archi-Color also enables balanced white light mixing, delivering cleaner, more natural tones alongside vivid, saturated color.

DriveMax™

Take your lighting further, drive single color channels up to 80% of fixture power, or dual channels simultaneously at 100%. Achieve bolder effects with greater efficiency.

Ultra-Narrow 6° Beam

While many competitors reserve tight beams for single-LED setups, HueCraft delivers the narrowest beam angle in a discreet quad-chip configuration. The 6° optic enables precise, long-throw projection with full color performance.

LISTING



ELECTRICAL

Power Input	130W, 120-277 VAC
Power Factor	> 0.9
Driver Location	Integral
Surge Protection	Integral 4kV surge protector
Flicker-Free	Proprietary VX Driver™ is incorporated to all dimming options for video flicker-free lighting
High-Output Channel Drive	DriveMax™ allows individual color channels to operate at up to 80% of the fixture's total power, or two channels simultaneously at full output. <i>Channel drive capability may vary depending on configuration. Refer to the Performance section for full details.</i>

PHYSICAL

Housing Material	High pressure die-cast aluminum, tempered glass
Finish	Black, White, Custom RAL, Optional C5-M anticorrosion coating
Dimensions	11.14" x 7.55" x 12.19", Ø9.88"
Maximum Fixtures	Maximum 32 fixtures per DMX daisy chain
Weight	18.5 lbs / 8.4 kg
EPA	Bracket: 0.14 ft² (Front) 0.14 ft² (Side), Yoke: 0.65 ft² (Front) 0.6 ft² (Side), Glare Shield Visor: 0.0754 ft² (Side)
Adjustability	Bracket ±90°, Yoke +40°/-30°
Mounting	Bracket, Pendant, Yoke

PHOTOMETRIC PERFORMANCE

Lumen Output	6,183 lm (@15° RGBL)
Beam Angle	6°, 10°, 15°, 30°, 45°, 60°, 15°x60°, 60°x15°
Colors	Archi-Color® RGB + Lime
Color Rendering	CRI 85+
Lumen Maintenance	Long lasting LED luminaire tested under TM21 lumen maintenance L70 @ 65,000 Hrs
LED Layout	Discreet quad-chip (4-in-1) RGBL

CONTROL

Control	4 Channel DMX
Dimming	DMX 16 bit high resolution dims to 0.01%, supports ANSI E1.20 RDM protocol
Cable/Connections	Fixtures can be specified in hard-wired or IP68-rated waterproof quick connectors for streamlined installation. Leader and jumper cables are sold separately to support flexible system layouts.

ENVIRONMENTAL

Operating Temperature	-40°F ~ 122°F / -40°C ~ 50°C
Environment	ETL Wet Location
Ingress Protection	IP67
Impact Resistance	IK10 with Wire Guard accessory
Listing	ETL, CE, FCC

WARRANTY

Warranty	5-year limited warranty
----------	-------------------------

CATALOG

PROJECT	TYPE	QUANTITY
---------	------	----------

[PRODUCT CONFIGURATOR](#) 

Try our **product configurator** on our website to easily specify your requirements and add items to a fixture list.

HP10	130		UNV	DMX
MODEL	WATTAGE	COLORS	VOLTAGE	DIMMING
HP10 HueCraft Projector 10"	130 130W	RGBL RGB + Lime RGBA¹ RGB + Amber RGB30¹ RGB + 3000K RGB40¹ RGB + 4000K RGB65¹ RGB + 6500K TNW¹ Tunable White 1800K - 6500K	UNV 120 - 277 VAC	DMX DMX 16 bit high resolution dims to 0.01%, supports ANSI E1.20 RDM protocol

OPTIC		FINISH	MOUNTING	ACCESSORIES
6 6° (9 LED Array)	1560 15° x 60° (36 LED Array)	BLK Black	BRK Bracket	GSV³ Glare Shield Visor
10 10° (9 LED Array)	6015 60° x 15° (36 LED Array)	WHT White	YKM Adjustable Yoke Mount	WG⁴ Wire Guard (IK10 Protection)
15 15° (36 LED Array)		RAL² Custom RAL	ST2 Pendant Stem 2ft	C5M⁵ C5-M Anticorrosion Coating
30 30° (36 LED Array)			ST4 Pendant Stem 4ft	SPD⁶ Surge Protector
45 45° (36 LED Array)				
60 60° (36 LED Array)				

Notes

1. Tailored control modes are available to simulate specific color temperatures or tonal ranges using the native Archi-Color® RGBL quad-chip engine.
2. Custom RAL finish – please provide RAL number to your representative. Longer lead time required.
3. Use of the Glare Shield Visor (GSV) results in an estimated 20% reduction in lumen output, GSV is not compatible with WG.
4. Use of the Wire Guard (WG) results in an estimated 20% reduction in lumen output, WG is not compatible with GSV.
5. Certified to ISO 12944 for high-corrosion environments. Ideal for coastal, marine, and industrial installations exposed to salt, moisture, or pollutants.
6. Surge protector for up to 10KV. Applicable for unstable mains or facilities using high power machineries

CATALOG - CABLE & CONNECTION

LEADER CABLE

HPC	LC	1	BLK	
MODEL	TYPE	LENGTH	FINISH	QUANTITY
HPC HueCraft Projector Connectors	LC Leader Cable (Male)	1 1 ft	BLK Black	

JUMPER CABLE

HPC	JC		BLK	
MODEL	TYPE	LENGTH	FINISH	QUANTITY
HPC HueCraft Projector Connectors	JC Jumper Cable (Male-Female)	1.5 1.5 ft 5 5 ft 10 10 ft 25 25 ft	BLK Black	

DMX TERMINATOR

HPC	DMXT	
MODEL	TYPE	QUANTITY
HPC HueCraft Projector Connectors	DMXT DMX Terminator, one required for each run	

PERFORMANCE

	COLOR	WATTAGE	LUMEN	PEAK CANDELA
6°	RGBL Full	132.4 W	4,995 lm	310,091 cd
	Red	43.1 W	1,205 lm	74,835 cd
	Green	56.7 W	2,138 lm	132,724 cd
	Blue	55.2 W	476 lm	29,561 cd
	Lime	54.1 W	3,687 lm	22,886 cd
10°	RGBL Full	132.4 W	5,082 lm	188,347 cd
	Red	43.1 W	1,226 lm	45,454 cd
	Green	56.7 W	2,175 lm	80,615 cd
	Blue	55.2 W	484 lm	17,955 cd
	Lime	54.1 W	3,750 lm	139,009 cd
15°	RGBL Full	135.4 W	6,183 lm	43,630 cd
	Red	86.3 W	3,866 lm	27,280 cd
	Green	102.4 W	5,953 lm	42,006 cd
	Blue	102 W	1,335 lm	9,421 cd
	Lime	103.5 W	6,502 lm	45,884 cd
30°	RGBL Full	135.4 W	5,475 lm	15,560 cd
	Red	86.3 W	3,423 lm	9,729 cd
	Green	102.4 W	5,271 lm	14,981 cd
	Blue	102 W	1,182 lm	3,360 cd
	Lime	103.5 W	5,758 lm	16,364 cd
45°	RGBL Full	135.4 W	4,798 lm	7,588 cd
	Red	86.3 W	3,000 lm	2,982 cd
	Green	102.4 W	4,620 lm	7,305 cd
	Blue	102 W	1,036 lm	1,638 cd
	Lime	103.5 W	5,046 lm	9,798 cd
60°	RGBL Full	135.4 W	4,621 lm	5,408 cd
	Red	86.3 W	2,889 lm	3,381 cd
	Green	102.4 W	4,449 lm	5,207 cd
	Blue	102 W	997 lm	1,168 cd
	Lime	103.5 W	4,860 lm	5,687 cd
15x60°	RGBL Full	135.4 W	6,306 lm	14,329 cd
	Red	86.3 W	3,943 lm	8,959 cd
	Green	102.4 W	6,072 lm	13,796 cd
	Blue	102 W	1,361 lm	3,094 cd
	Lime	103.5 W	6,632 lm	15,069 cd

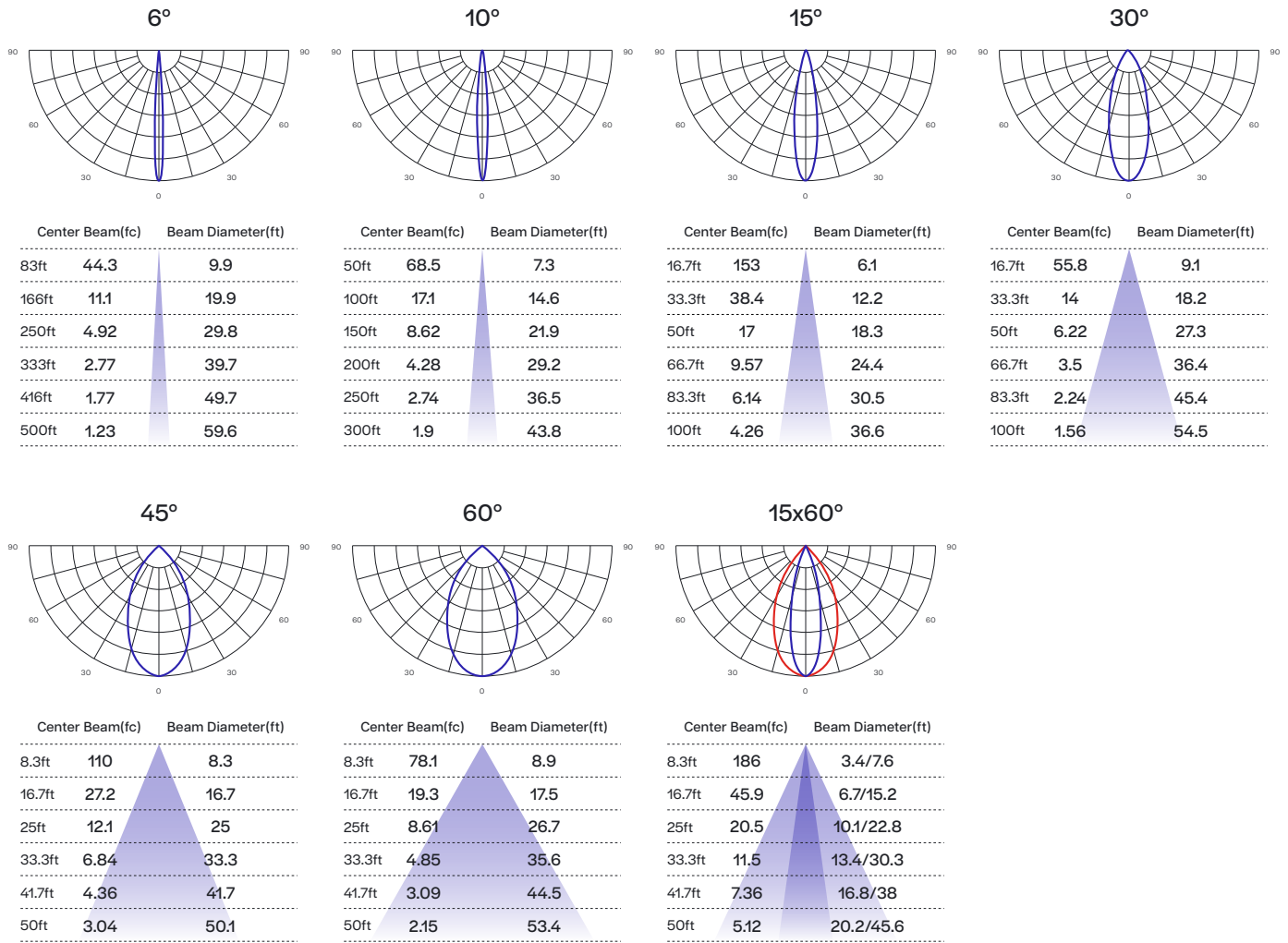
Note: Tolerance $\pm 10\%$, CCT values are mixed from RGBL and not listed individually.

Approximate lumen outputs can be calculated by applying the following scale factors to the RGBL Full lumen value:

- 3000K = RGBL $\times 1.19$
- 4000K = RGBL $\times 1.18$
- 6500K = RGBL $\times 1.14$

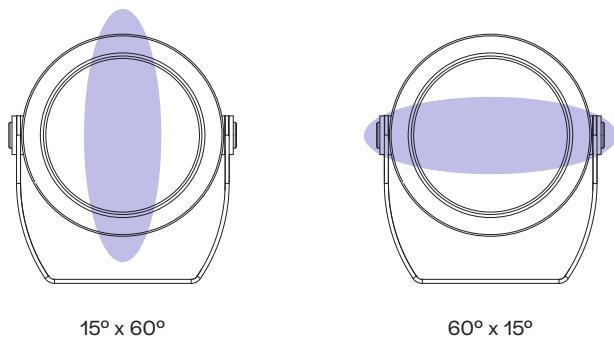
PHOTOMETRICS*

* Data measured @RGLB full on.



ELLIPTICAL BEAM ANGLES

The first number refers to the beam width in the horizontal (H) axis, and the second number refers to the vertical (V) axis, H° x V°.



DMX CHART

The HueCraft HP10 fixture is a four channel DMX unit. When placing an order, please indicate DMX address. (The DMX address will be listed on the back of the fixture). Do not connect more than 32 fixtures per DMX daisy chain.

DMX ADDRESS (PERSONALITY 1-5)

Fixture #	Channel	Red Control (ex. X)	Green Control (ex. X+1)	Blue Control (ex. X+2)	White / Lime / Amber (ex. X+3)
#1		1	2	3	4
#2		5	6	7	8
#3		9	10	11	12

DMX ADDRESS (PERSONALITY 6-7)

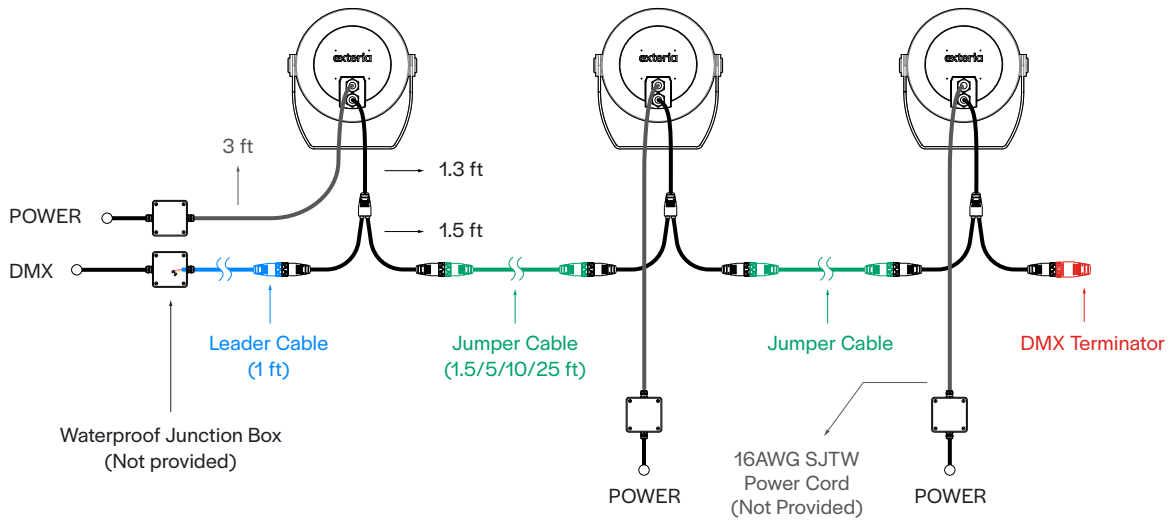
Fixture #	Channel	Intensity (ex. X)	Tunable White / Preset Color (ex. X+1)
#1		1	2
#2		3	4
#3		5	6

COMPATIBLE DMX CABLING

DMX uses a cable consisting of two twisted pairs plus a shield to carry data. The cable must be specifically impedance matched for the digital DMX signal, meaning that microphone cable or other non-rated cable must not be used to carry DMX. We recommend the use of Belden 9729 or Belden 9841 for DMX installation. Belden 9729/9841 is a two pair cable, which allows for a spare pair for 'out and back' type terminations if needed. A DMX terminator is also required at the end of each DMX chain to ensure proper signal transmission and prevent data reflection.

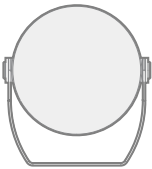
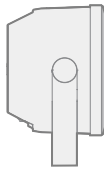
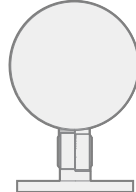
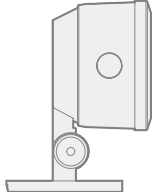

CONNECTION

* This diagram is for illustrative purposes only. All installations must comply with applicable electrical codes and safety standards. Follow NEC requirements and consult a qualified professional for proper implementation.



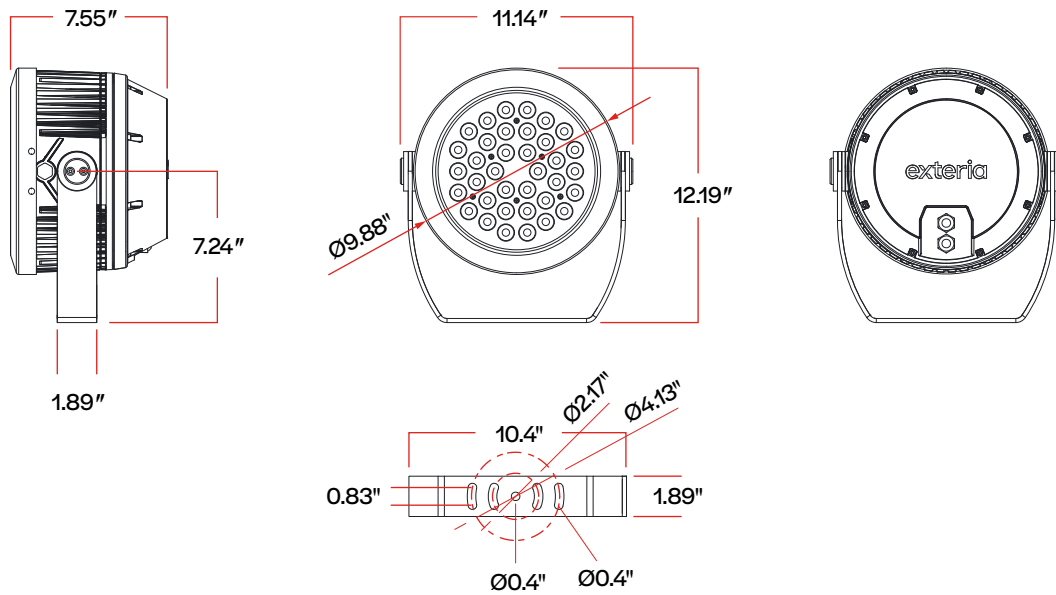
Note:
• Maximum fixtures per daisy chain: 32 fixtures

EPA VALUES

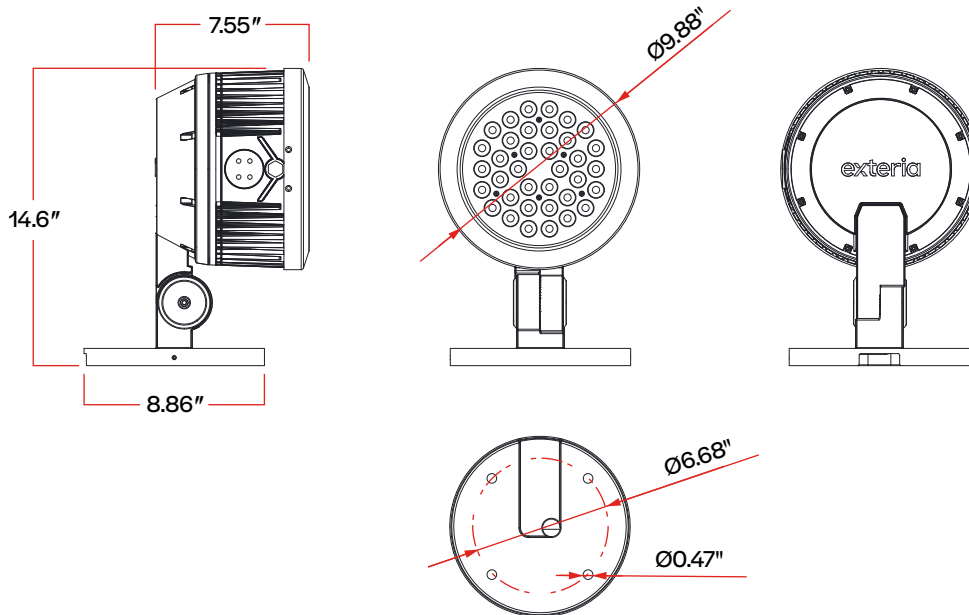
BRACKET		YOKE		GSV
				
Front	Side	Front	Side	Side
0.14 ft ²	0.14 ft ²	0.65 ft ²	0.60 ft ²	0.0754 ft ²

DIMENSIONS

BRACKET MOUNT

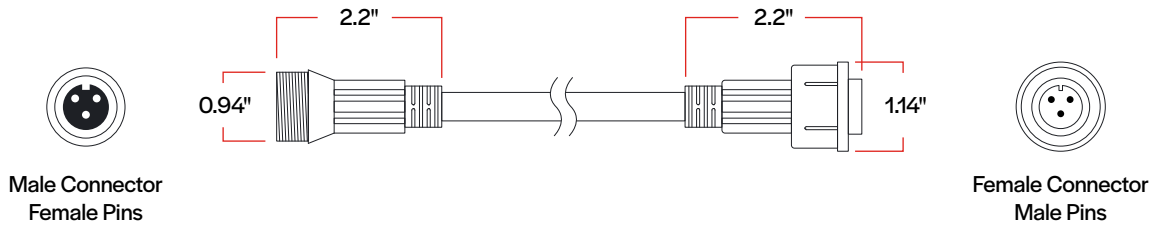


YOKE MOUNT

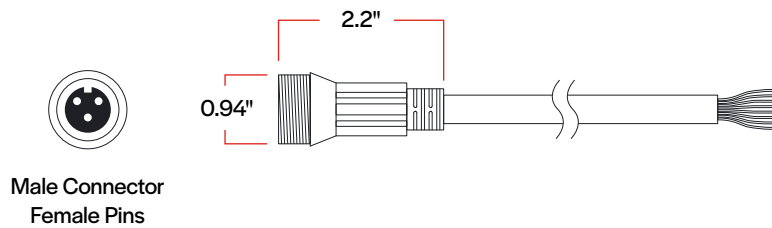


DIMENSIONS

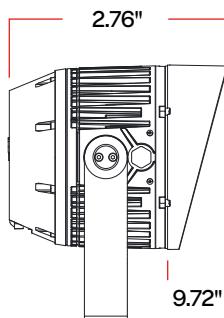
JUMPER CABLE



LEADER CABLE

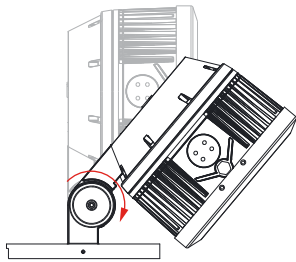


GLARE SHIELD VISOR

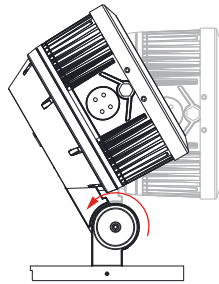


ADJUSTMENTS

YOKE

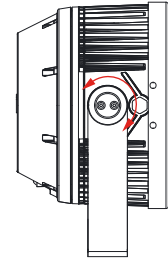


Forward 40°



Backward 30°

BRACKET



± 90°