

## SPECIFICATION SHEET

Architectural Light Bollard and EV Charger combined. The Exteria CL-B is a high-performing bollard for outdoor applications, delivering up to 1,250 lm. This all-in-one unit combines efficient LED lighting with integrated Level II EV chargers, offering 40A and up to 35 miles per hour of range. With LTE connectivity and app-free, scan-and-charge functionality, it ensures user convenience. The bollard can be specified with or without the EV charger for design consistency.

### FINISH



Black

### CCT



3000K



3500K



4000K

### MOUNTING



Surface Mounted



Embedded

### DISTRIBUTION



Asymmetric



### Illumination Meets Charging

The CL-B Bollard combines pathway lighting and EV charging in a single architectural form. Its precision-cast aluminum body delivers both ambient illumination and convenient Level 2 charging—enhancing parking areas, pedestrian routes and outdoor spaces with function and harmony.

### Smart Management System

Compatible with intelligent management platform that enable real-time monitoring, remote troubleshooting, revenue collection, and load balancing. Users can access charging through RFID authentication, ensuring secure and customized operation for public or private environments.

### LISTING



**ELECTRICAL**

Power Input	LED Bollard: 40W, 220-240 VAC   EV Charger: 8.8kW, 40A, 220-240 VAC, Single Phase, 60Hz
Protection	Surger Protection 4KV line-line, 6KV line-earth, Over Voltage, Under Voltage, GM/I, CCID20, Over Current, Over Temperature, Short Circuit, Relay Malfunction
Wiring Type	Hard-wired

**PHYSICAL**

Housing Material	High pressure die-cast aluminum, polycarbonate optical lens
Finish	Black
Dimensions	8" x 8" x 53.4"
Weight	75 lbs
Anchorage	Anchor base with stainless steel anti-theft screws
Mounting	Embedded, Surface mounted

**PHOTOMETRIC PERFORMANCE**

Lumen Output	1,250 lm (40W)
Beam Angle	Asymmetric
Colors	3000K, 4000K, 5000K
Color Rendering	CRI 85+
Lumen Maintenance	Long lasting LED luminaire tested under TM21 lumen maintenance L70 @ 65,000 Hrs

**CONTROL**

Dimming	Standard 0-10V, dims to 10%
Communication	4G LTE, Data Protocol: OCPP 1.6J

**EV CHARGER FEATURES**

Charging Type	Level 2 Charging
Charging Load	8.8kW (35 Miles per Hour)
Charger Connector	SAE J1772 Type 1, 25ft cable length
Display	5*8 Dot Matrix with multiple color LED indicators
Software Maintenance Service	Optional 1 - 3 Year management plan with Wevo platform. Real time analytics & reporting / station management and remote trouble shooting / revenue collection & direct deposit / advanced load management / RFID card access... and more.

**ENVIRONMENTAL**

Operating Temperature	-13°F~122°F
Ingress Protection	IP65
Impact Resistance	IK08, IK10 (EV Charger)
Listing	CE, FCC, UL 1998/2231/2594

**WARRANTY**

Warranty	3-year limited warranty
----------	-------------------------

CATALOG

PROJECT	TYPE	QUANTITY
---------	------	----------

[PRODUCT CONFIGURATOR](#) ↗

Try our **product configurator** on our website to easily specify your requirements and add items to a fixture list.

MODEL	WATTAGE	CCT/CRI	DIMMING	DISTRIBUTION	FINISH	MOUNTING
<b>CLB</b> Light Bollard with integrated EV Charger	<b>40</b> 40W Light Engine	<b>308</b> 3000K / CRI85 <b>358</b> 3500K / CRI 85 <b>408</b> 4000K / CRI 85	<b>STV</b> Standard 0-10V dims to 10%	<b>ASY</b> Asymmetric	<b>BLK</b> Black	<b>AKE</b> Embedded <b>AKS</b> Surface Mounted

EV-CHARGER

TYPE	CONNECTIVITY	MAINTENANCE SERVICE
<b>40AS</b> 40A Level 2 Single Charger <b>40AD</b> 40A Level 2 Dual Charger	<b>LTE</b> 4G Connectivity	<b>1Y</b> 1 Year <b>2Y</b> 2 Years <b>3Y</b> 3 Years

## PERFORMANCE

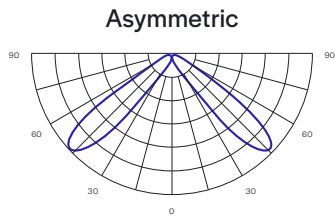
Light Bollard Delivered Lumens			
CCT/WATTAGE	3000K	3500K	4000K
40W	1,200lm	1,220lm	1,250lm

Light Bollard Current Consumption		
WATTAGE / VOLT	220V	240V
40W	0.2A	0.18A

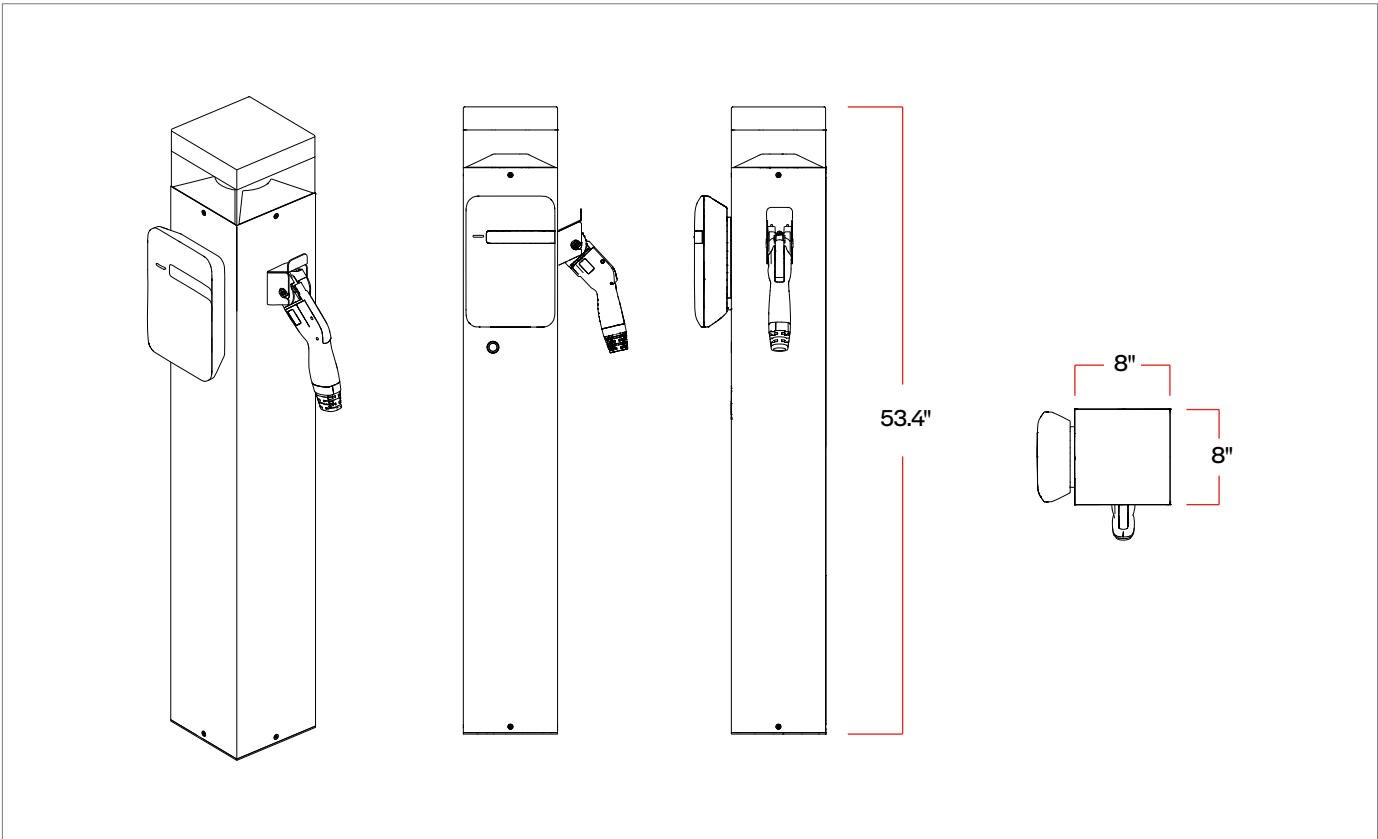
EV Charger Current Consumption		
WATTAGE / VOLT	220V	240V
8.8kW	48A	36.6A

## PHOTOMETRICS\*

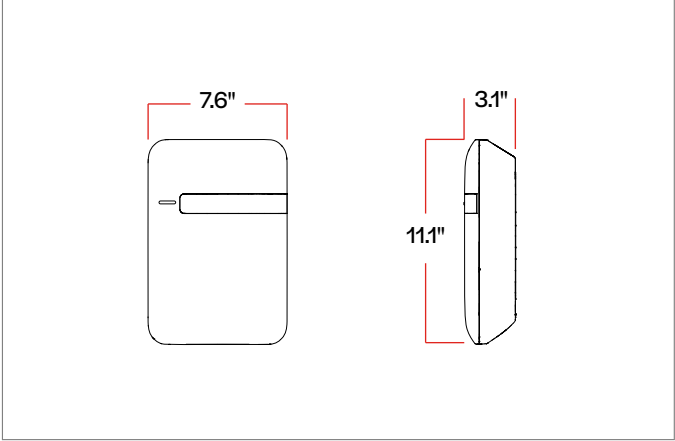
\* Below is a typical photometric representation of the CL-B fixture. Please download IES files to ensure exact photometric value.



DIMENSIONS



CHARGER CONSOLE



CHARGER HANDLE SAE J1772 TYPE 1

