

# ATRIA II 4

REIMAGINING PERFORMANCE SPACES

SPECIFICATION SHEET  
WARM DIM

## Housing

Diameter : Ø4.8" | Height : 12.6" | Weight : 8 lbs

## Material

Housing : High Pressure Die-Cast Aluminum  
Optics : Aluminum Reflector

## Power Input

15W, 25W, 35W, 45W | 120 or 277V

## Lumen Output

1,600 lm (15W), 2,200 lm (25W), 2,550 lm (35W), 3,000 lm (45W)

## Dimming

Superior 0-10V : Dims to 1%  
DMX : High resolution dims to 0.1%



## Color Quality

CRI 85+


## Rated Life

> 100,000 Hours (L70)




## Finish

   
Matte Black Matte White

## Color Temperature

 ColorFlip™ Warm Dim  
1900K ↔ 3000K

## Optics

    
45° 60° Wide

## Mounting

      
Stem Mount Adjustable Cable Wall Mount Yoke Mount Surface Mount

## Warranty

5 Year limited warranty

## Listing

## Versatile and Compact Architectural Cylinder

Engineered for performance spaces, this architectural compact cylinder seamlessly integrates into ceilings, delivering powerful performance with vibrant, color-changing technology that elevates any stage environment.

ColorFlip™ harnesses advanced flip-chip technology, designed in-house, to deliver high-efficacy, flexible, and cost-effective color tuning solutions. This technology ensures robust output and precise color accuracy.



METEOR

meteor-lighting.com

**SPECIFICATION**

PROJECT NAME

DATE

CATALOG #

QUANTITY

The product configurator function on this page works only with the latest version of Chrome or Adobe Acrobat Reader.

<input type="text" value="ASII4"/>	MODEL	<b>ATRIA II 4</b>		
<input type="text"/>	WATTAGE	<b>15</b> 15W <b>45</b> 45W	<b>25</b> 25W	<b>35</b> 35W
<input type="text" value="WDIM"/>	CCT / CRI	<b>WDIM</b> 1900K-3000K		
<input type="text" value="UNV"/>	VOLTAGE	<b>UNV</b> 120 – 277V		
<input type="text"/>	DIMMING	<b>SPV</b> Superior 0-10V dims to 1% <b>DMXW</b> DMX dims to 0.1% (Hard-wired)	<b>DMX<sup>1</sup></b> DMX dims to 0.1% (XLR Sockets)	<b>DMXR</b> DMX dims to 0.1% (RJ45 Sockets)
<input type="text"/>	BEAM ANGLE <sup>1</sup>	<b>45</b> 45°	<b>60</b> 60°	<b>WD<sup>2</sup></b> Wide
<input type="text"/>	FINISH	<b>BLK</b> SilentBlack™, Matte Finish	<b>WHT</b> SilentWhite™, Matte Finish	
<input type="text"/>	RIM FINISH	<b>STD</b> Standard Trim	<b>GLR</b> Glow Ring	
<input type="text"/>	MOUNTING	<b>SUM</b> Surface Mount <b>AD10</b> Adjustable Cable 10ft <b>YKM</b> Yoke Mount	<b>ST2</b> Stem 2ft <b>SAD10</b> Sloped Adjustable Cable 10ft	<b>ST4</b> Stem 4ft <b>WLM<sup>3</sup></b> Wall Mount
<input type="text"/>	ACCESSORIES	<b>EMP</b> Remote Emergency Pack	<b>CT<sup>4</sup></b> Conduit Mount	<b>FCS<sup>5</sup></b> Field Cut Stem Adapter Kit

CLEAR FORM

<sup>1</sup> All beam angle options include an integrated diffuser  
<sup>2</sup> WD option reduces delivered lumens by ~12%  
<sup>3</sup> WLM is not compatible with DMX, DMXR; connections are hard-wired using three DMX wires  
<sup>4</sup> CT is not compatible with SUM, YKM, WLM  
<sup>5</sup> FCS is not compatible with SUM, AD10, SAD10, YKM, WLM

**TECHNICAL DETAILS**

**Electrical**

- 1,600 lm (15W), 2,200 lm (25W), 2,550 lm (35W), 3,000 lm (45W)
- Power Input : Universal (120-277V)
- Operating Temperature : -40°F~104°F
- Surge Protection : Built-in is 4KV
- Power Factor Greater than 0.9

**LED Features**

- ColorFlip™ Warm Dim 1900K ↔ 3000K
- CRI 85+
- Long lasting LED luminaire tested under TM21 lumen maintenance L70 @ 100,000 Hrs
- Lumen Maintenance > 0.90 at 60,000 hours

**Optics**

- Aluminum Reflector
- Beam Angle : 45°, 60°, Wide

**Advanced Dimming**

- Proprietary VX Driver™ is incorporated to all dimming options for video flicker-free lighting
- Superior 0-10V : Dims to 1%
- DMX : High resolution dims to 0.1% (Supports ANSI E1.20 RDM protocol)

**Housing**

- Diameter : Ø4.8"
- Height : 12.6"
- Material : High Pressure Die-Cast Aluminum, Metal Reflector
- Weight : 8 lbs

**Mounting**

- Stem 2ft or 4ft; 45° Swivel Canopy Included
- Adjustable Cable 10ft
- Sloped Adjustable Cable 10ft
- Surface Mount
- Wall Mount
- Yoke Mount

**Warranty**

- 5-year limited warranty

**Listing**

- ETL Damp Location Listed
- CE
- FCC
- Energy Star Rated
- UKCA

**PERFORMANCE SUMMARY\***

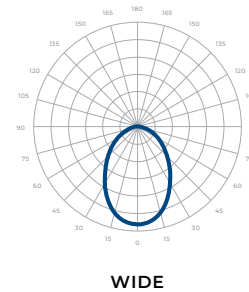
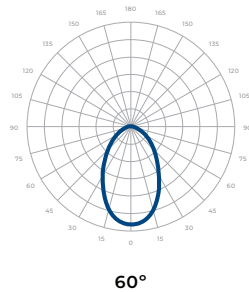
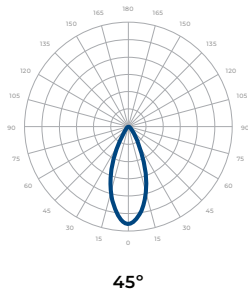
Warm Dim	1900K					3000K
<b>DMX</b> CCT Signal (%)	7%	20%	40%	60%	80%	100%
<b>0-10V</b> CCT Voltage	0.7	2	4	6	8	10
<b>15W</b>	30lm	145lm	430lm	816lm	1,230lm	1,600lm
<b>25W</b>	45lm	200lm	595lm	1,125lm	1,695lm	2,200lm
<b>35W</b>	50lm	230lm	690lm	1,300lm	1,965lm	2,550lm
<b>45W</b>	60lm	270lm	810lm	1,530lm	2,310lm	3,000lm

\*Tolerance±8%

Current Consumption		
WATTAGE / VOLT	120V	277V
<b>15W</b>	0.17A	0.08A
<b>25W</b>	0.23A	0.11A
<b>35W</b>	0.34A	0.15A
<b>45W</b>	0.45A	0.2A

**PHOTOMETRICS**

Below is a typical photometric representation of the Atria II 4 fixture. Please download IES files to ensure exact photometric value.

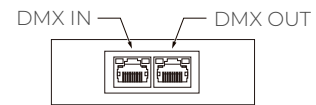


**DMX REQUIREMENTS**

The Atria II 4 fixture with DMX is a **single channel dmx** unit that dims both intensity and color temperature between 1900K <-> 3000K. When placing an order, please indicate DMX address. (The DMX address will be listed on the back of the fixture). Do not connect more than 32 fixtures per DMX daisy chain.

The fixture can be connected with RJ45 or XLR sockets. DMX cables **are not** included; please refer to compatible DMX cabling list for more information. The final fixture on each daisy chain should be terminated by the use of a DMX terminator purchased from a 3rd party or from Meteor.

CONNECTION	RJ45 (CAT5e)	5-PIN XLR
Common	WHITE/BROWN(PIN7) & BROWN (PIN 8)	PIN 1
Signal -	ORANGE (PIN 2)	PIN 2
Signal +	WHITE/ORANGE (PIN 1)	PIN 3
Spare	-	PIN 4
Spare	-	PIN 5



**RJ45 Sockets**



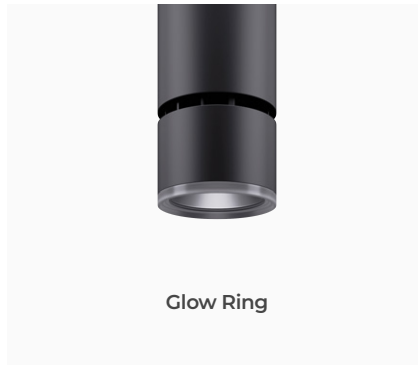
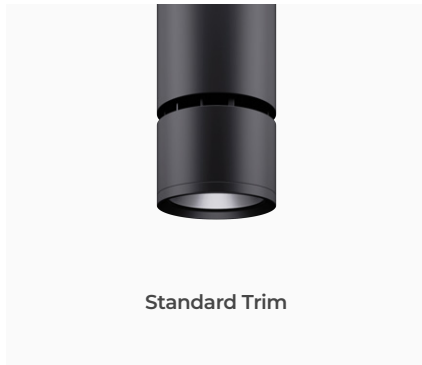
**XLR Sockets**

**COMPATIBLE DMX CABLING LIST**

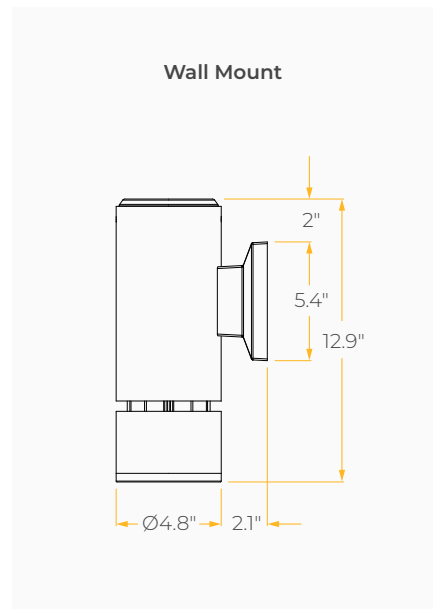
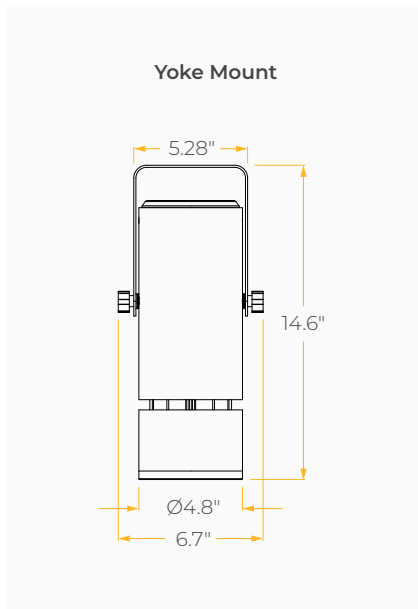
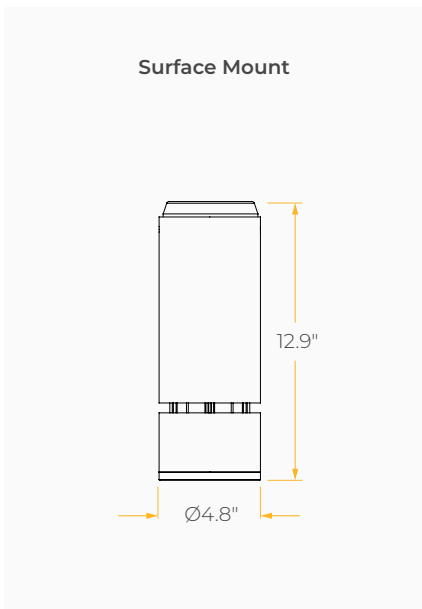
DMX uses a cable consisting of two twisted pairs plus a shield to carry data. The cable must be specifically impedance matched for the digital DMX signal, meaning that microphone cable or other non-rated cable **must not be used to carry DMX**. Network cable (Cat5, 5e or 6 cable) may be used to carry DMX in an installation; however special consideration must be given to shielding and termination. Under no circumstances should solid core cable like Cat5 be terminated into a screw down connector.

Meteor recommends the use of Belden 9729 or Belden 9841 for DMX installation. Belden 9729/9841 is a two pair cable, which allows for a spare pair for 'out and back' type terminations if needed.

**RIM FINISH**

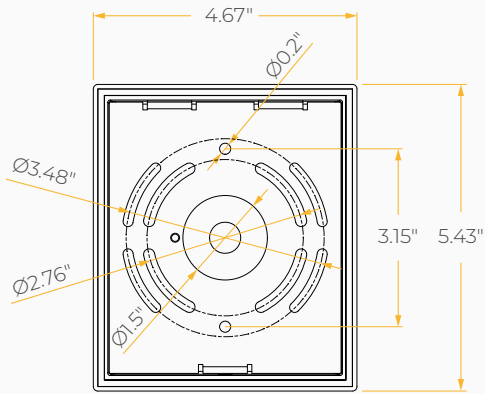


**DIMENSIONS**

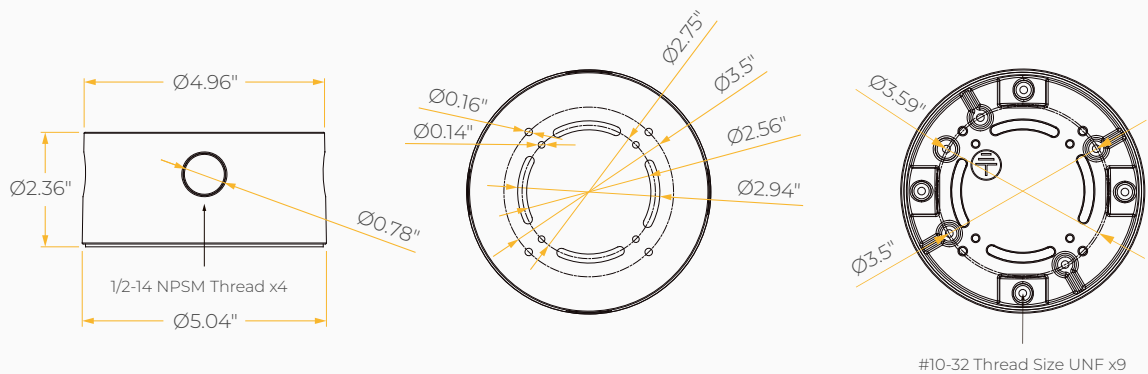


**DIMENSIONS**

Wall Mount



Conduit Mount



**MOUNTING OPTIONS\***

\*Junction box not included

