

HueCraft Linear



SPECIFICATION SHEET

HueCraft Linear merges powerful RGBL technology into a low-profile linear form. Offered in 1, 2, and 4-foot increments, it delivers smooth in-lens quad-chip color blending and consistent transitions across long runs. Built to withstand the elements with an IP67 rating, HueCraft Linear features waterproof quick-connectors for easy installation.

COLOR



Archi-Color®
RGBL

FINISH



Matte Black



Matte White



Custom RAL

CCT



RGB + 3000K



RGB + 4000K



RGB + 6500K



RGB + Lime



RGB + Amber



Tunable
White

OPTICS



15°



30°



45°



60°



15°x60°



60°x15°

MOUNTING



Swivel
Bracket



Cantilever
Arm



Archi-Color® RGBL

Now tailored for outdoor applications, our refined RGBL system introduces Lime LEDs for better performance and higher efficacy. The expanded spectrum enhances the colors that matter most outdoors—richer ambers, natural reds, deeper greens, and the golden-yellow glow reminiscent of sodium lighting. Archi-Color also enables balanced white light mixing, delivering cleaner, more natural tones alongside vivid, saturated color.

DriveMax™

Take your lighting further, drive single color channels up to 80% of fixture power, or dual channels simultaneously at 100%. Achieve bolder effects with greater efficiency.

LISTING



ELECTRICAL

Power Input	120W, 120-277 VAC
Power Factor	> 0.9
Driver Location	Integral
Surge Protection	Integral 4kV surge protector
Flicker-Free	Proprietary VX Driver™ is incorporated to all dimming options for video flicker-free lighting
High-Output Channel Drive	DriveMax™ allows individual color channels to operate at up to 80% of the fixture's total power, or two channels simultaneously at full output. <i>Channel drive capability may vary depending on configuration. Refer to the Performance section for full details.</i>

PHYSICAL

Housing Material	High pressure die-cast aluminum, tempered glass
Finish	Black, White, Custom RAL, Optional C5-M anticorrosion coating
Dimensions	Length x 3.17" x 3.17"
Housing Length	1 ft, 2 ft, 4 ft
Maximum Fixtures	Maximum 32 fixtures per DMX daisy chain; power limits allow 120V: 28 (1 ft/2 ft) or 15 (4 ft) and 240V+: 28 (1 ft/2 ft) or 24 (4 ft) fixtures per run.
Weight	2.64 lbs, 4.63 lbs, 8.81 lbs / 1.2 kg, 2.1 kg, 4 kg
EPA	Bracket: 0.219 ft² (Top) 0.158 ft² (Front) 0.036 ft² (Side)
Adjustability	90° Swivel
Mounting	Swivel Bracket, Cantilever Arm
Setback Distance	A 6-inch setback distance is recommended for optimal wall uniformity

PHOTOMETRIC PERFORMANCE

Lumen Output	6,900 lm (@4ft, 15° RGBL)
Beam Angle	15°, 30°, 45°, 60°, 15°x60°, 60°x15°
Colors	Archi-Color® RGB + Lime
Color Rendering	CRI 85+
Lumen Maintenance	Long lasting LED luminaire tested under TM21 lumen maintenance L70 @ 65,000 Hrs
LED Layout	Discreet quad-chip (4-in-1) RGBL

CONTROL

Control	4 Channel DMX
Dimming	DMX 16 bit high resolution dims to 0.01%, supports ANSI E1.20 RDM protocol
Cable/Connections	Fixtures can be specified in hard-wired or IP68-rated waterproof quick connectors for streamlined installation. Leader and jumper cables are sold separately to support flexible system layouts.
Resolution	Default factory setting available in Per 1 ft Resolution (1 ft - 4 Channel DMX) or Per Fixture Resolution (1 Fixture - 4 Channel DMX)

ENVIRONMENTAL

Operating Temperature	-40°F ~ 122°F / -40°C ~ 50°C
Environment	ETL Wet Location
Ingress Protection	IP67
Listing	ETL, CE, FCC

WARRANTY

Warranty 5-year limited warranty

CATALOG - FIXTURE

PROJECT	TYPE	QUANTITY
---------	------	----------

PRODUCT CONFIGURATOR

Try our **product configurator** on our website to easily specify your requirements and add items to a fixture list.

MODEL	WATTAGE	COLORS	VOLTAGE	DIMMING
HL1 HueCraft Linear 1ft HL2 HueCraft Linear 2ft HL4 HueCraft Linear 4ft	30 30W per ft	RGBL RGB + Lime RGBA¹ RGB + Amber RGB30¹ RGB + 3000K RGB40¹ RGB + 4000K RGB65¹ RGB + 6500K TNW¹ Tunable White 1800K - 6500K	UNV UNV 120 - 277 VAC	DMX1F DMX high resolution dims to 0.01%, 1 ft segment control DMX2F² DMX high resolution dims to 0.01%, 2 ft segment control DMXFX DMX high resolution dims to 0.01%, whole fixture control

OPTIC	FINISH	MOUNTING	CABLE ENTRY	ACCESSORIES
15 15° 30 30° 45 45° 60 60° 1560 15° x 60° 6015 60° x 15°	BLK Black WHT White RAL³ Custom RAL	BRK Bracket CA6 Cantilever Arm 6" CA12 Cantilever Arm 12"	RHT⁴ Right Side Input LFT⁴ Left Side Input	C5M⁵ C5-M Anticorrosion Coating GSV⁶ Glare Shield Visor SPD⁷ Surge Protector

Notes

1. Tailored control modes are available to simulate specific color temperatures or tonal ranges using the native Archi-Color® RGBL quad-chip engine.
2. DMX2F is not compatible with HL1
3. Custom RAL finish – please provide RAL number to your representative. Longer lead time required.
4. Please specify left or right side for power input when facing the wall to ensure correct mounting orientation.
5. Certified to ISO 12944 for high-corrosion environments. Ideal for coastal, marine, and industrial installations exposed to salt, moisture, or pollutants.
6. Use of the Glare Shield Visor (GSV) results in an estimated 20% reduction in lumen output.
7. Surge protector for up to 10KV. Applicable for unstable mains or facilities using high power machineries.

CATALOG - CABLE & CONNECTION

LEADER CABLE

HLC	LC	1	BLK	
MODEL	TYPE	LENGTH	FINISH	QUANTITY
HLC HueCraft Linear Connectors	LC Leader Cable (Male)	1 1 ft	BLK Black	

JUMPER CABLE

HLC	JC		BLK	
MODEL	TYPE	LENGTH	FINISH	QUANTITY
HLC HueCraft Linear Connectors	JC Jumper Cable (Male-Female)	5 5 ft	BLK Black	
		10 10 ft		
		25 25 ft		

DMX TERMINATOR

HLC	DMXT	
MODEL	TYPE	QUANTITY
HLC HueCraft Linear Connectors	DMXT DMX Terminator, one required for each run	

PERFORMANCE

	COLOR	WATTAGE	LUMEN	PEAK CANDELA
15°	RGBL Full	30 W	1,725 lm	8,083 cd
	Red	20.6 W	1,079 lm	5,054 cd
	Green	23.6 W	1,661 lm	7,782 cd
	Blue	24.4 W	372 lm	1,754 cd
	Lime	23.7 W	1,815 lm	8,500 cd
30°	RGBL Full	30 W	1,528 lm	2,945 cd
	Red	20.6 W	955 lm	1,841 cd
	Green	23.6 W	1,471 lm	2,836 cd
	Blue	24.4 W	330 lm	636 cd
	Lime	23.7 W	1,607 lm	3,097 cd
45°	RGBL Full	30 W	1,339 lm	1,169 cd
	Red	20.6 W	837 lm	731 cd
	Green	23.6 W	1,289 lm	1,125 cd
	Blue	24.4 W	289 lm	252 cd
	Lime	23.7 W	1,408 lm	1,229 cd
60°	RGBL Full	30 W	1,290 lm	1,085 cd
	Red	20.6 W	806 lm	679 cd
	Green	23.6 W	1,242 lm	1,045 cd
	Blue	24.4 W	278 lm	234 cd
	Lime	23.7 W	1,356 lm	1,142 cd
15x60°	RGBL Full	30 W	1,760 lm	2,866 cd
	Red	20.6 W	1,100 lm	1,792 cd
	Green	23.6 W	1,694 lm	2,759 cd
	Blue	24.4 W	380 lm	619 cd
	Lime	23.7 W	1,851 lm	3,014 cd

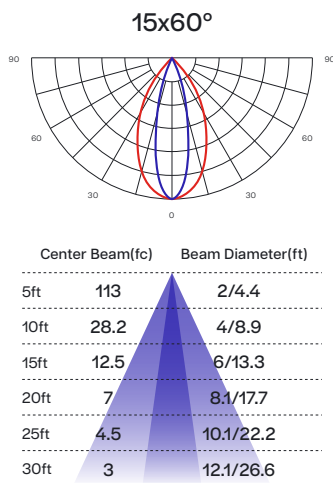
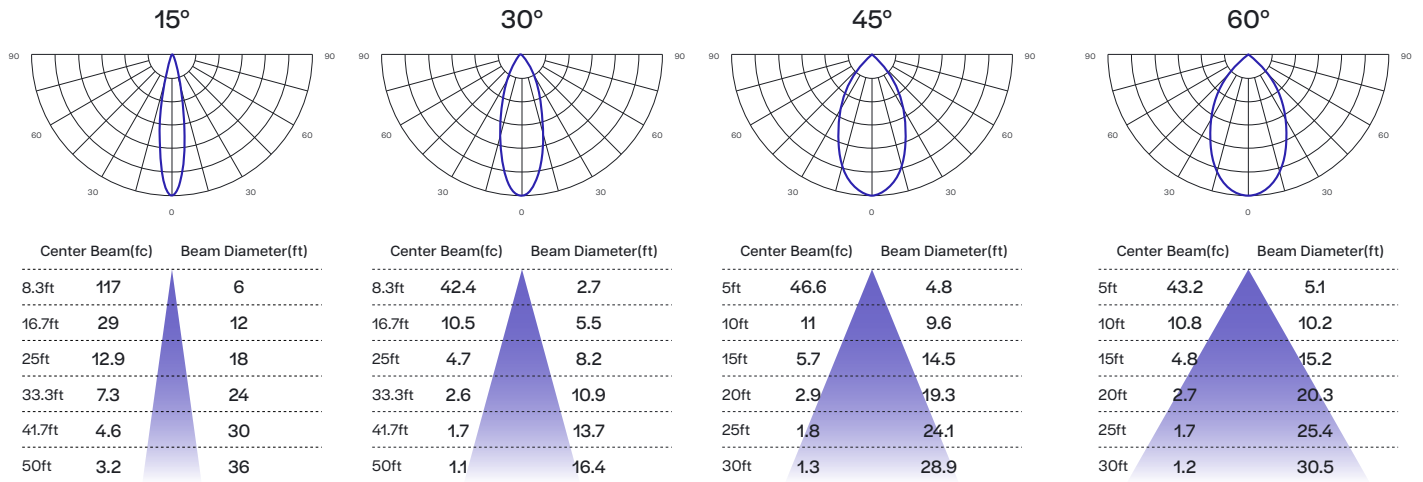
Note: Tolerance ±10%, CCT values are mixed from RGBL and not listed individually.

Approximate lumen outputs can be calculated by applying the following scale factors to the RGBL Full lumen value:

- 3000K = RGBL × 1.19
- 4000K = RGBL × 1.18
- 6500K = RGBL × 1.14

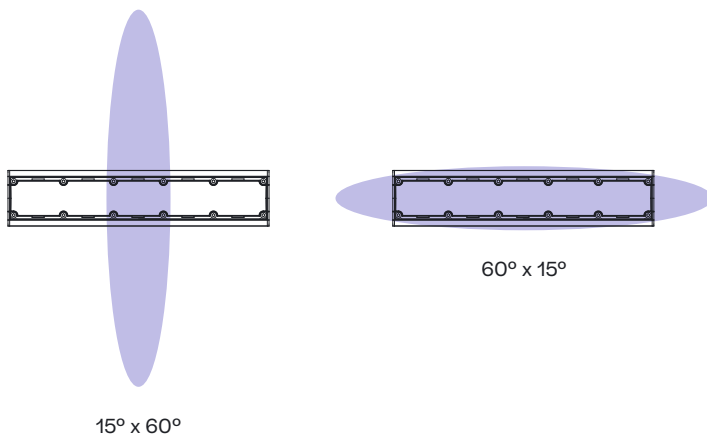
PHOTOMETRICS*

* Data measured @RGBL full on.



ELLIPTICAL BEAM ANGLES

The first number refers to the beam width in the horizontal (H) axis, and the second number refers to the vertical (V) axis, H° x V°.



DMX CHART

The HueCraft Linear is a four channel DMX unit. When placing an order, please indicate DMX address. (The DMX address will be listed on the back of the fixture). Do not connect more than 32 fixtures per DMX daisy chain.

DMX ADDRESS (PERSONALITY 1-5)

Fixture #	Channel	Red Control (ex. X)	Green Control (ex. X+1)	Blue Control (ex. X+2)	White / Lime / Amber (ex. X+3)
#1		1	2	3	4
#2		5	6	7	8
#3		9	10	11	12

DMX ADDRESS (PERSONALITY 6-7)

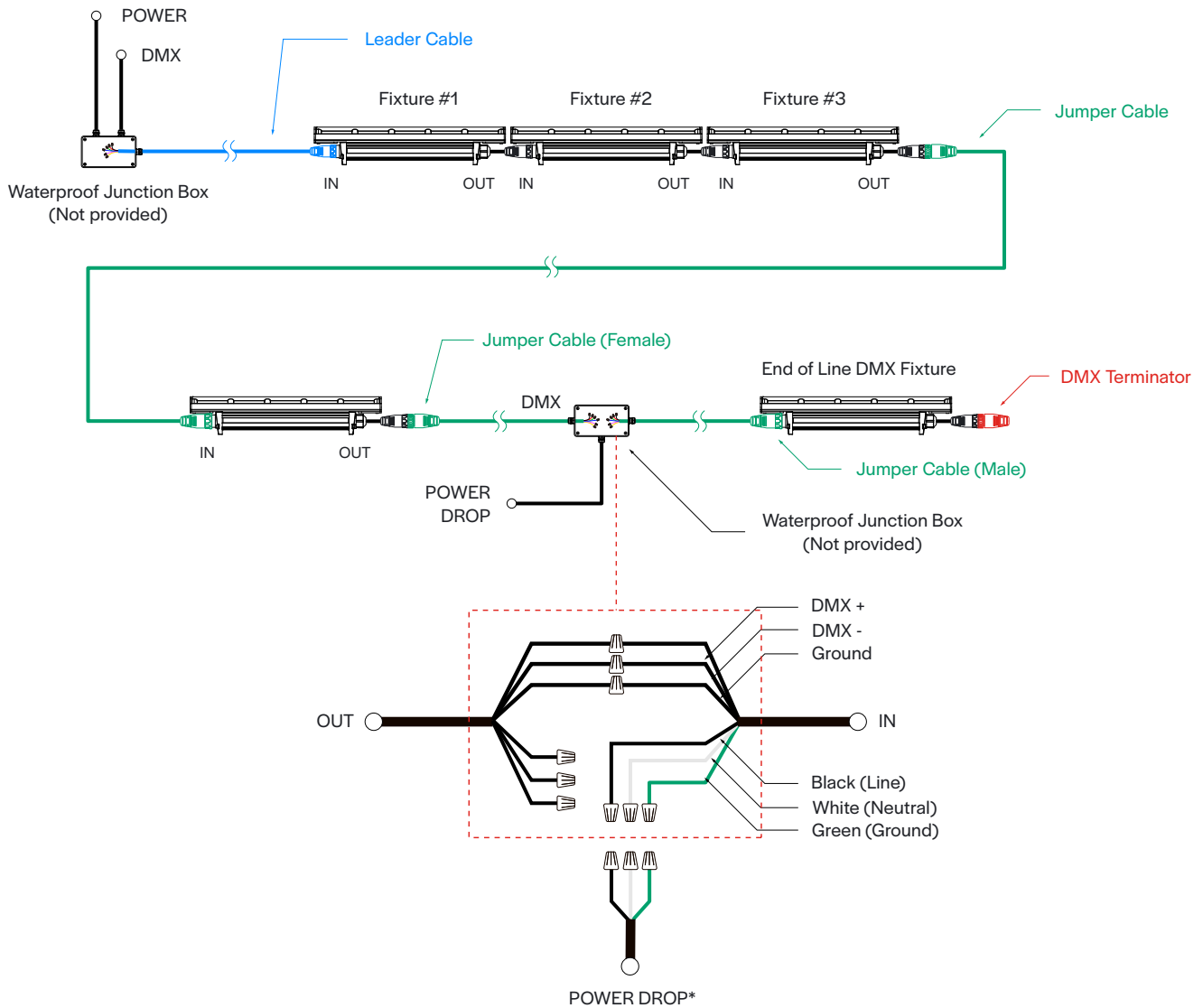
Fixture #	Channel	Intensity (ex. X)	Tunable White / Preset Color (ex. X+1)
#1		1	2
#2		3	4
#3		5	6

COMPATIBLE DMX CABLING

DMX uses a cable consisting of two twisted pairs plus a shield to carry data. The cable must be specifically impedance matched for the digital DMX signal, meaning that microphone cable or other non-rated cable must not be used to carry DMX. We recommend the use of Belden 9729 or Belden 9841 for DMX installation. Belden 9729/9841 is a two pair cable, which allows for a spare pair for 'out and back' type terminations if needed. A DMX terminator is also required at the end of each DMX chain to ensure proper signal transmission and prevent data reflection.

CONNECTION

* This diagram is for illustrative purposes only. All installations must comply with applicable electrical codes and safety standards. Follow NEC requirements and consult a qualified professional for proper implementation.



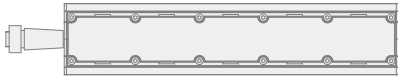
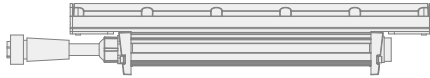

MAXIMUM CONTINUOUS RUN

Input Voltage	Max Run Length per Power Drop	HL1	HL2	HL4
120V	40 ft	32 fixtures	20 fixtures	10 fixtures
277V	90 ft	32 fixtures	32 fixtures	22 fixtures

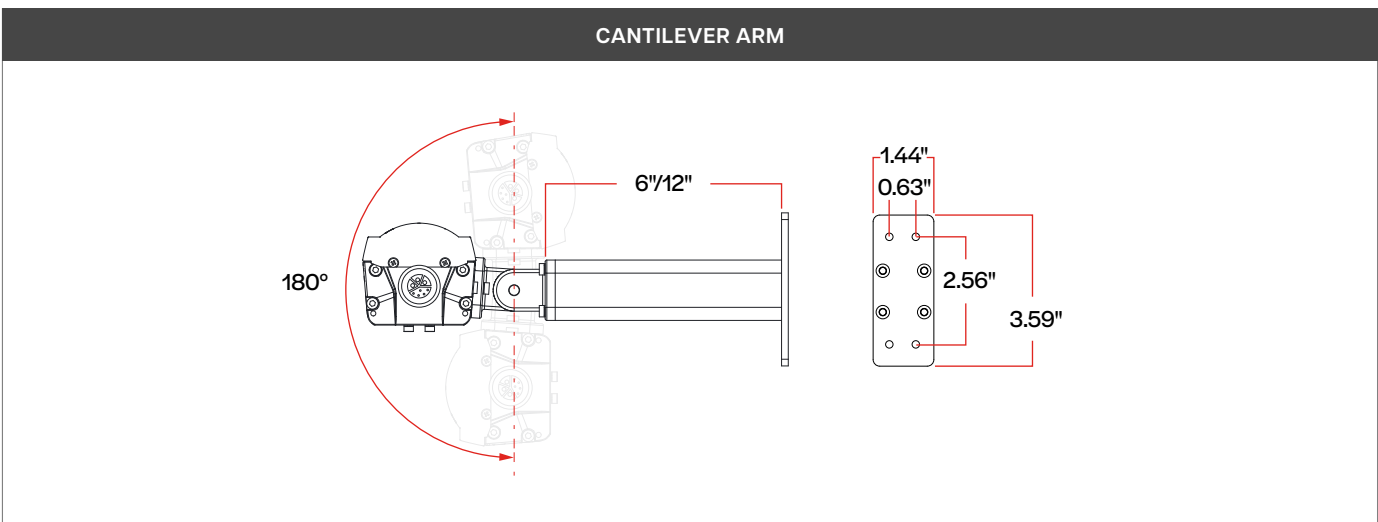
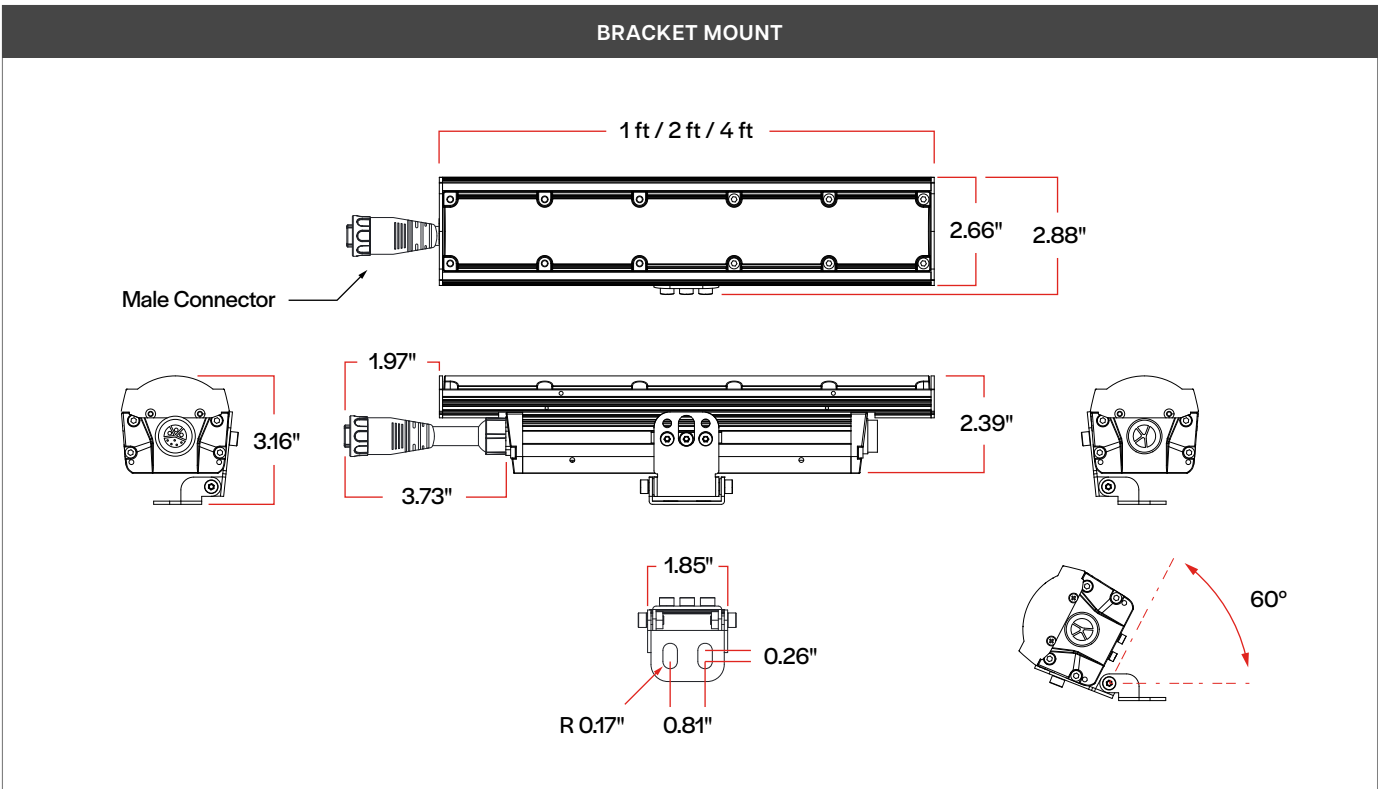
Note:

- Maximum fixtures per daisy chain: 32 fixtures
- Power drops: Power must be reintroduced at defined distances via a junction box due to voltage drop limitations.

EPA VALUES

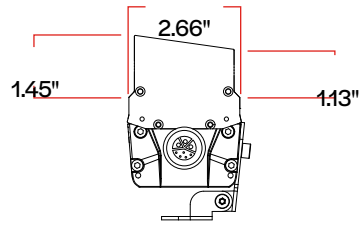
BRACKET		
		
Top	Front	Side
0.219 ft ²	0.158 ft ²	0.036 ft ²

DIMENSIONS

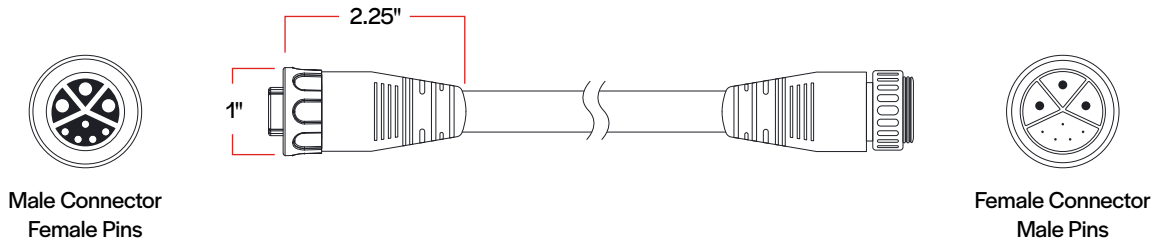


DIMENSIONS

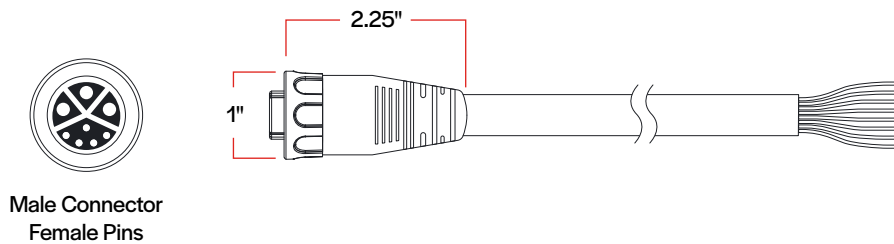
GLARE SHIELD VISOR



JUMPER CABLE

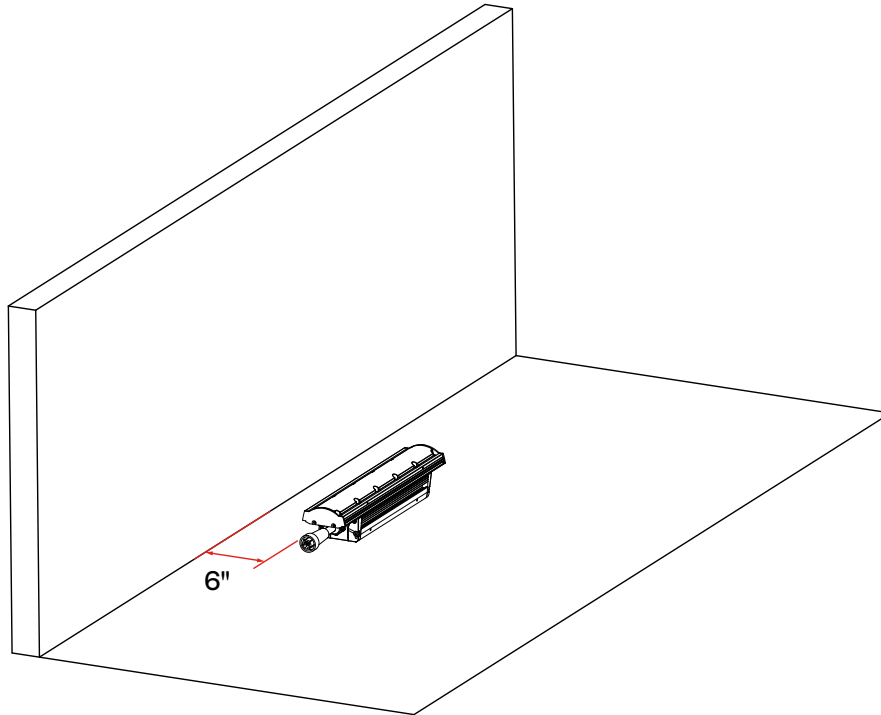


LEADER CABLE



DIMENSIONS

SETBACK DISTANCE



A 6-inch setback distance is recommended for optimal wall uniformity.