

# ATRIA II 8

REIMAGINING PERFORMANCE SPACES

SPECIFICATION SHEET  
STANDARD

## Housing

Diameter : Ø8.1" | Height : 21.5" | Weight : 20 lbs

## Material

Housing : High Pressure Die-Cast Aluminum  
Optics : Metal Reflector

## Power Input

80W, 100W, 130W, 160W | 120-277V

## Lumen Output

10,610 lm (80W), 13,265 lm (100W), 17,245 lm (130W), 21,220 lm (160W)

## Dimming

Standard 0-10V : Dims to 10%  
Superior 0-10V : Dims to 1%  
DMX : High resolution dims to 0.1% (Supports ANSI E1.20 RDM protocol)  
TRC : Line-voltage phase control, dims to 1%  
DALI : Dims to 10%

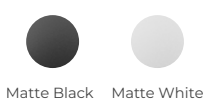
## Color Quality

CRI 85, CRI 93

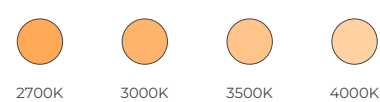
## Rated Life

> 100,000 Hours (L70)

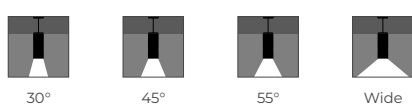
## Finish



## Color Temperature



## Optics



## Mounting



## Warranty

5 Year limited warranty

## Listing



DesignLights Consortium™ Qualified Luminaires:

DLC QPL Product ID: S-3P19DF

Not all product variations listed are DLC qualified.

To ensure that a specific model is qualified, visit [www.designlights.org/search](http://www.designlights.org/search)

## Versatile and Compact Architectural Cylinder

Engineered for performance spaces, this cylinder offers versatile mounting and advanced dimming options. It seamlessly blends into ceilings, delivering powerful performance with vibrant, color-changing technology that elevates any stage environment.

With its next-gen design, the Atria Mark II features an upgraded light engine that boasts a 30% increase in lighting output across the series and introduces a new SilentBlack™ finish that reduces reflectance to under 5%.



METEOR

[meteor-lighting.com](http://meteor-lighting.com)

**SPECIFICATION**

<b>PROJECT NAME</b>	<input type="text"/>	<b>DATE</b>	<input type="text"/>
<b>CATALOG #</b>	<input type="text"/>	<b>QUANTITY</b>	<input type="text"/>

The product configurator function on this page works only with the latest version of Chrome or Adobe Acrobat Reader.

<input type="text" value="ASII8"/>	<b>MODEL</b>	<b>ATRIA II 8</b>		
<input type="text"/>	<b>WATTAGE</b>	<b>80</b> 80W <b>160</b> 160W	<b>100</b> 100W	<b>130</b> 130W
<input type="text"/>	<b>CCT / CRI</b>	<b>278</b> 2700K / CRI 85 <b>309</b> 3000K / CRI 93 <b>408</b> 4000K / CRI 85	<b>279</b> 2700K / CRI 93 <b>358</b> 3500K / CRI 85	<b>308</b> 3000K / CRI 85 <b>359</b> 3500K / CRI 93
<input type="text" value="UNV"/>	<b>VOLTAGE</b>	<b>UNV</b> 120 – 277V		
<input type="text"/>	<b>DIMMING</b>	<b>STV</b> Standard 0-10V dims to 10% <b>DMXR</b> DMX dims to 0.1% (RJ45 Sockets) <b>DALI</b> <sup>2</sup> DALI dims to 10%	<b>SPV</b> Superior 0-10V dims to 1% <b>DMXW</b> DMX dims to 0.1% (Hard-wired)	<b>DMX</b> DMX dims to 0.1% (XLR Sockets) <b>TRC</b> <sup>1</sup> Line-voltage phase control, dims to 1%
<input type="text"/>	<b>BEAM ANGLE</b>	<b>30</b> 30° <b>WD</b> <sup>3</sup> Wide	<b>45</b> 45°	<b>55</b> 55°
<input type="text"/>	<b>FINISH</b>	<b>BLK</b> SilentBlack™, Matte Finish	<b>WHT</b> SilentWhite™, Matte Finish	
<input type="text"/>	<b>RIM FINISH</b>	<b>STD</b> Standard	<b>GLR</b> Glow Ring	
<input type="text"/>	<b>MOUNTING</b>	<b>ST2</b> Stem 2ft <b>SAD10</b> Sloped Adjustable Cable 10ft <b>SUM</b> Surface Mount	<b>ST4</b> Stem 4ft <b>YKM</b> Yoke Mount	<b>AD10</b> Adjustable Cable 10ft <b>WLM</b> <sup>4</sup> Wall Mount
<input type="text"/>	<b>ACCESSORIES</b>	<b>SPD</b> <sup>5</sup> Surge Protector <b>CT</b> <sup>7</sup> Conduit Mount <b>AWNC</b> <sup>10</sup> Lutron Athena Wireless Node Canopy	<b>HC</b> <sup>6</sup> Hex Cell Louver <b>FCS</b> <sup>8</sup> Field Cut Stem Adapter Kit <b>NX</b> <sup>11</sup> NX Radio Module Standalone Module	<b>EMP</b> Remote Emergency Pack <b>AWN</b> <sup>9</sup> Lutron Athena Wireless Node Standalone Module <b>NXC</b> <sup>12</sup> NX Radio Module Canopy

CLEAR FORM

<sup>1</sup> TRC is only compatible with 120V and not compatible with 130, 160  
<sup>2</sup> DALI is not compatible with 160  
<sup>3</sup> WD option reduces delivered lumens by ~20%  
<sup>4</sup> WLM is not compatible with DMX, DMXR; connections are hard-wired using three DMX wires  
<sup>5</sup> Surge protector for up to 10KV. Applicable for unstable mains or facilities using high power machineries  
<sup>6</sup> HC option reduces delivered lumens by ~30%  
<sup>7</sup> CT is not compatible with SUM, YKM, WLM  
<sup>8</sup> FCS is not compatible with SUM, AD10, SAD10, YKM, WLM  
<sup>9</sup> AWN is not compatible with STV, DMX, DMXR, DMXW, TRC  
<sup>10</sup> AWNC is not compatible with STV, DMX, DMXR, DMXW, TRC, SUM, YKM, WLM  
<sup>11</sup> NX is not compatible with DMX, DMXR, DMXW, TRC, DALI  
<sup>12</sup> NXC is not compatible with DMX, DMXR, DMXW, TRC, DALI, SUM, YKM, WLM

**TECHNICAL DETAILS**

**Electrical**

- 10,610 lm (80W), 13,265 lm (100W), 17,245 lm (130W), 21,220 lm (160W)
- Power Input : Universal (120-277V)
- Operating Temperature : -13°F~112°F
- Surge Protection : Built-in is 4KV
- Remote Emergency Pack : Philips Bodine BSL20B2UEK55C111
- Power Factor Greater than 0.9

**LED Features**

- Color Temperature : 2700K, 3000K, 3500K, 4000K
- CRI 85, CRI 93
- Long lasting LED luminaire tested under TM21 lumen maintenance L70 @ 100,000 Hrs
- Lumen Maintenance > 0.90 at 60,000 hours

**Optics**

- Aluminum Reflector
- Beam Angle : 30°, 45°, 55°, WD

**Advanced Dimming**

- Proprietary VX Driver™ is incorporated to all dimming options for video flicker-free lighting
- Standard 0-10V : Dims to 10%
- Superior 0-10V : Dims to 1%
- DMX : High resolution dims to 0.1% (Supports ANSI E1.20 RDM protocol)
- TRC : Line-voltage phase control, dims to 1% (80/100/120W only)
- DALI : Dims to 10%

**Housing**

- Diameter : Ø8.1"
- Height : 21.5"
- Material : High Pressure Aluminum, Metal Reflector
- Weight : 20 lbs

**Mounting**

- Stem 2ft or 4ft; 45° Swivel Canopy Included
- Adjustable Cable 10ft
- Sloped Adjustable Cable 10ft
- Surface Mount
- Yoke Mount
- Wall Mount

**Warranty**

- 5-year limited warranty

**Listing**

- DLC Listed
- ETL Damp Location Listed
- CE
- UKCA
- FCC

**PERFORMANCE SUMMARY\***

Delivered Lumens				
CCT/WATTAGE	2700K	3000K	3500K	4000K
<b>80W</b>	9,700lm	10,000lm	10,300lm	10,610lm
<b>100W</b>	12,130lm	12,500lm	12,880lm	13,265lm
<b>130W</b>	15,765lm	16,255lm	16,740lm	17,245lm
<b>160W</b>	19,405lm	20,005lm	20,265lm	21,220lm

Current Consumption		
WATTAGE / VOLT	120V	277V
<b>80W</b>	0.73A	0.32A
<b>100W</b>	0.91A	0.39A
<b>130W</b>	1.2A	0.52A
<b>160W</b>	1.5A	0.64A

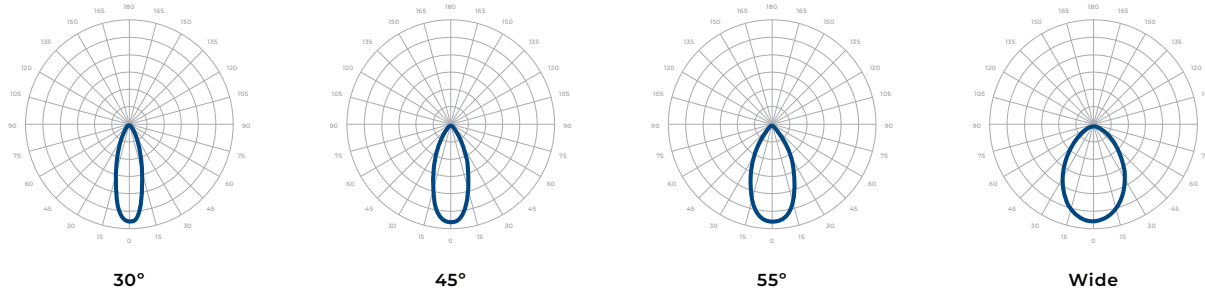
\*Beam Angle 55° Tolerance±8%

\*For specifications requiring a CRI of 93, apply a 0.75 multiplier to the lumen output values listed.

Emergency Pack Lumen Output Table			
CCT	2700K	3000K	4000K
<b>LUMEN</b>	1,870lm	1,925lm	2,040lm

**PHOTOMETRICS**

Below is a typical photometric representation of the Atria II 8 fixture. Please download IES files to ensure exact photometric value.

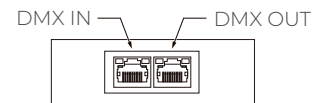


**DMX REQUIREMENTS**

The Atria II 8 fixture with DMX is a **single channel dmx** unit. When placing an order, please indicate DMX address. (The DMX address will be listed on the back of the fixture). Do not connect more than 32 fixtures per DMX daisy chain.

The fixture can be connected with RJ45 or XLR sockets. DMX cables **are not** included; please refer to compatible DMX cabling list for more information. The final fixture on each daisy chain should be terminated by the use of a DMX terminator purchased from a 3rd party or from Meteor.

CONNECTION	RJ45 (CAT5e)	5-PIN XLR
Common	WHITE/BROWN(PIN7) & BROWN (PIN 8)	PIN 1
Signal -	ORANGE (PIN 2)	PIN 2
Signal +	WHITE/ORANGE (PIN 1)	PIN 3
Spare	-	PIN 4
Spare	-	PIN 5



**RJ45 Sockets**



**XLR Sockets**

**COMPATIBLE DMX CABLING LIST**

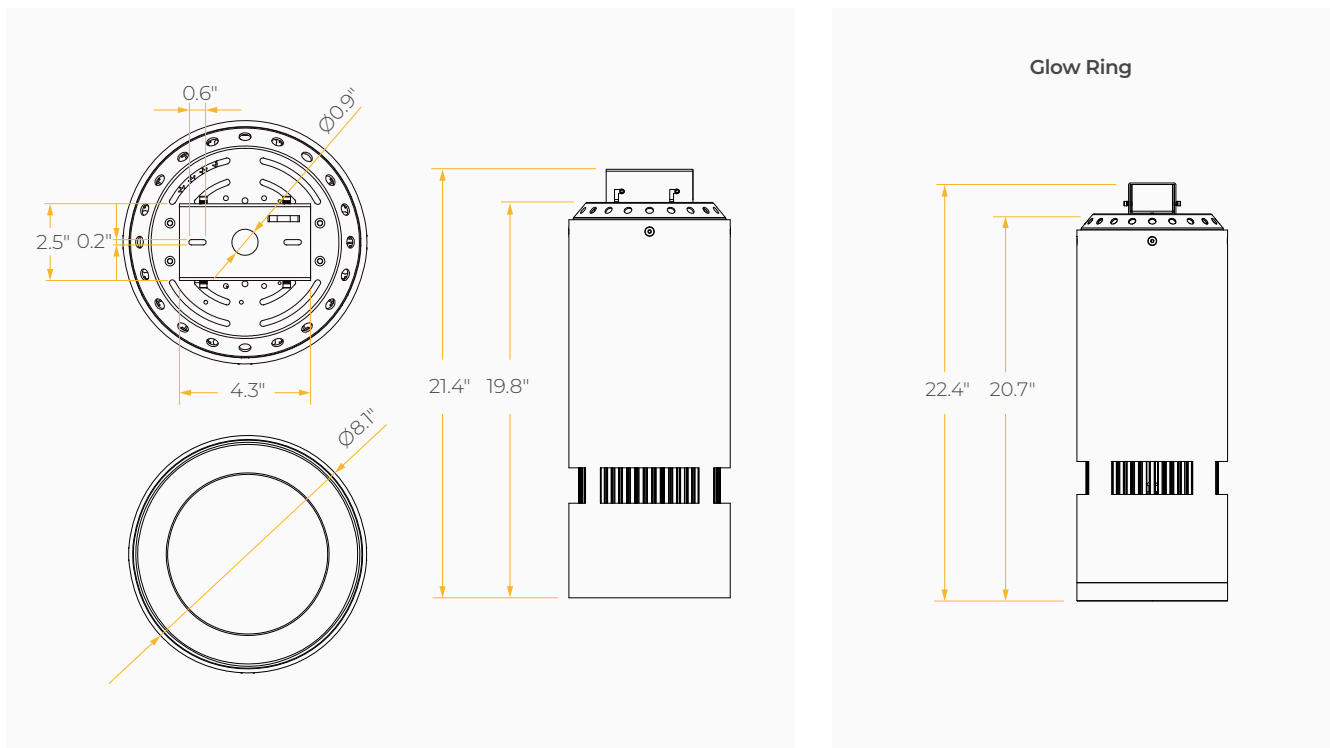
DMX uses a cable consisting of two twisted pairs plus a shield to carry data. The cable must be specifically impedance matched for the digital DMX signal, meaning that microphone cable or other non-rated cable **must not be used to carry DMX**. Network cable (Cat5, 5e or 6 cable) may be used to carry DMX in an installation; however special consideration must be given to shielding and termination. Under no circumstances should solid core cable like Cat5 be terminated into a screw down connector.

Meteor recommends the use of Belden 9729 or Belden 9841 for DMX installation. Belden 9729/9841 is a shielded twisted pair cable, which allows for a spare pair for 'out and back' type terminations if needed.

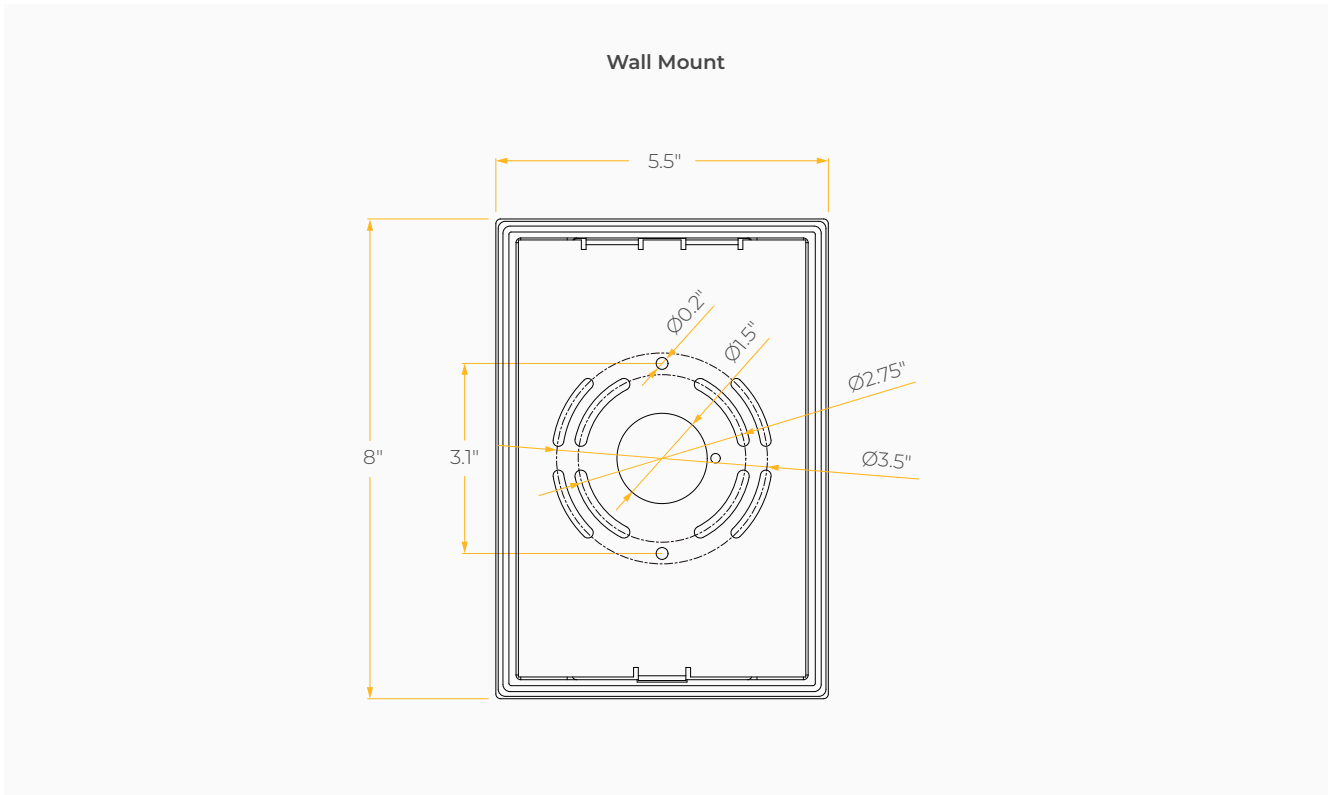
**COMPATIBLE TRC DIMMER LIST**

PART NO.					
Lutron DV603P	Lutron DVCL-153P	Lutron DVLV-600P	Lutron TGCL-153P	Lutron S-600P	Lutron FAELV500
Lutron SCL-153P	Lutron MACL-153M	Lutron DVLV-600P	Lutron RRD-6CL	Lutron CT-103P	Lutron MAELV-600
Leviton IPI06-1LZ	Leviton VP106-ILT	Leviton VPE06	Leviton 6673-10W	Leviton 6161	Leviton LGCL-153PL
Leviton IPL06	Cooper DLC03P-W	Cooper SLC03P	Cooper DAL06P	Cooper AAL06A-C2	

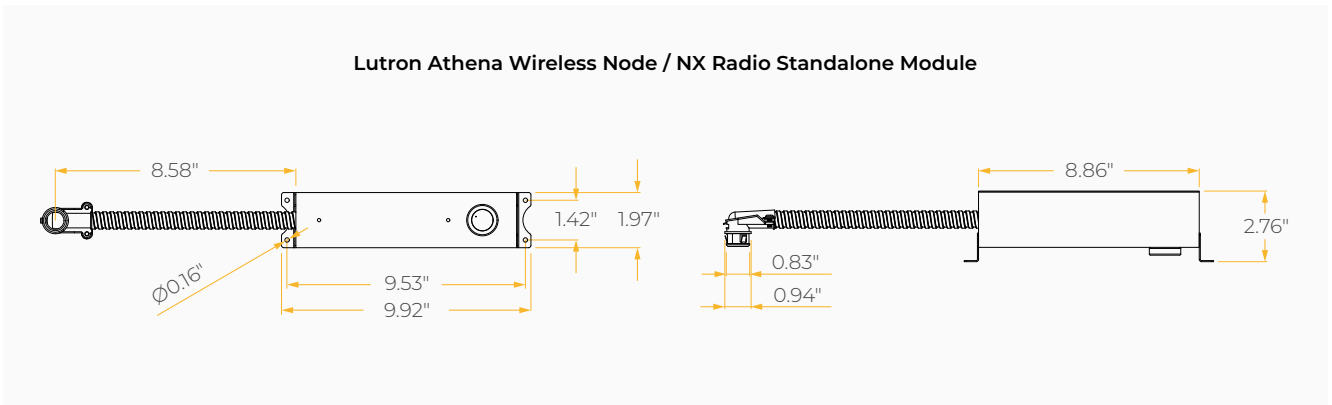
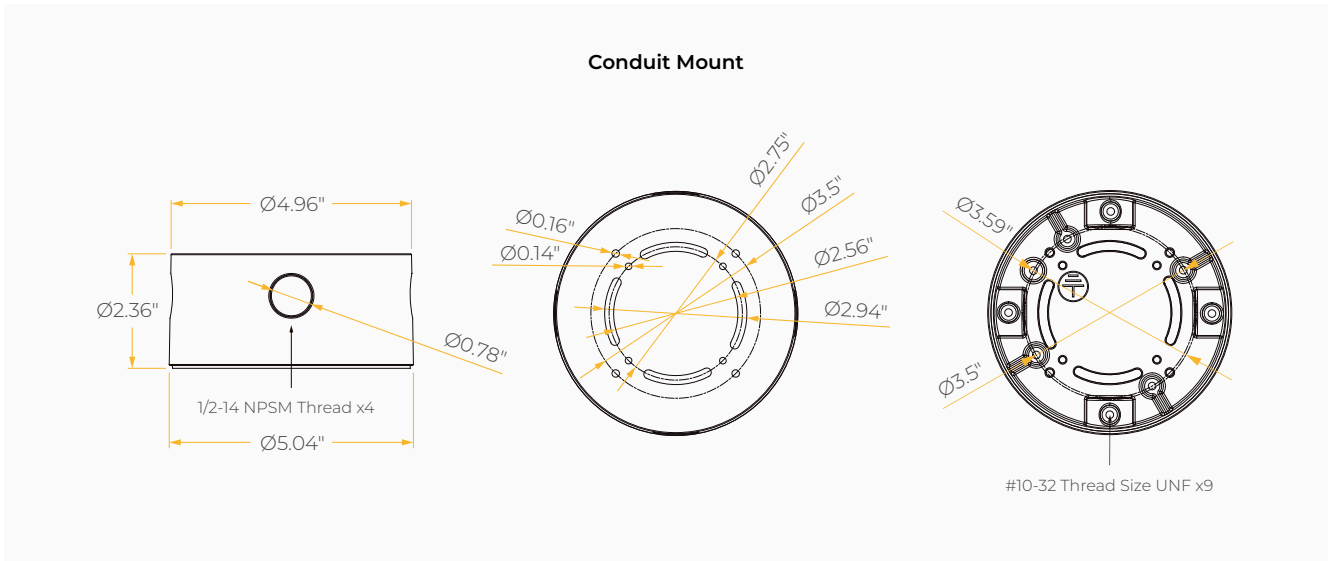
**DIMENSIONS**



**DIMENSIONS**

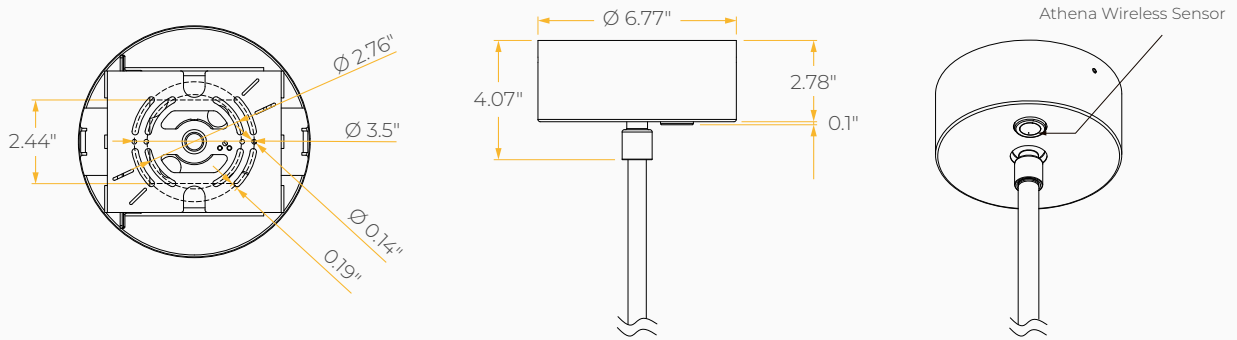


**DIMENSIONS**

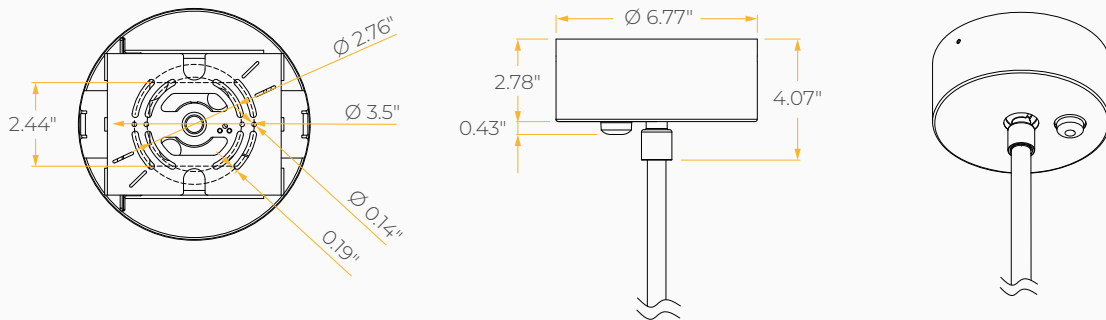


**MOUNTING OPTIONS\***

Lutron Athena Wireless Node Canopy



NX Radio Node Canopy



**MOUNTING OPTIONS\***

\*Junction box not included

